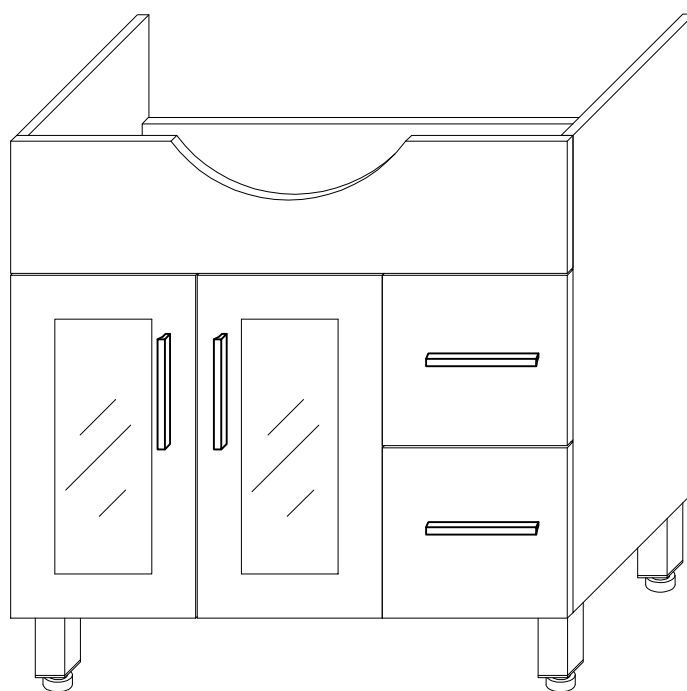


Model No.:Ct900



**THE LENNOX™
BATHROOM**

Ideas for life style

Auckland Ph:09 2710168

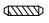



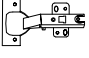

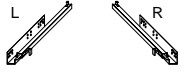
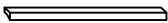




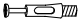
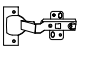

Hamilton Ph:07 8477722

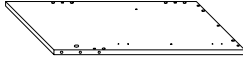
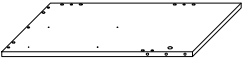
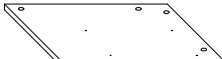
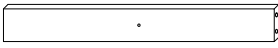


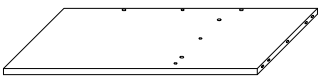

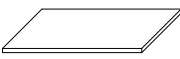
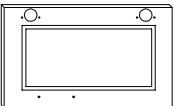
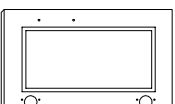


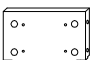

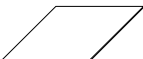
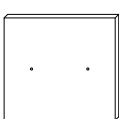
Christchurch Ph:03 3488885

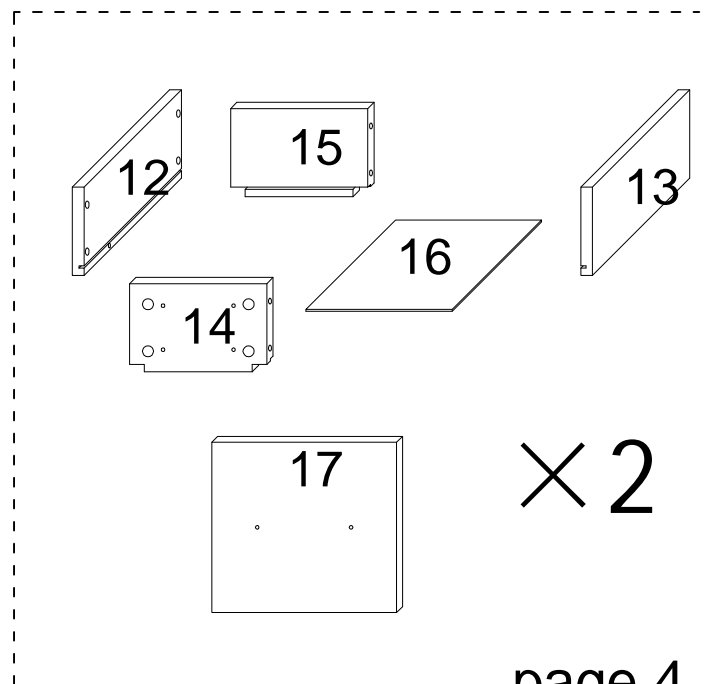
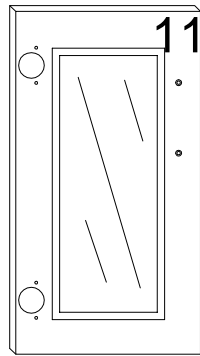
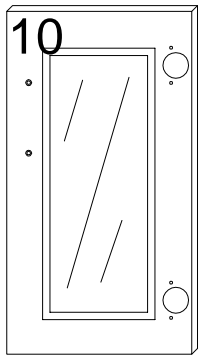
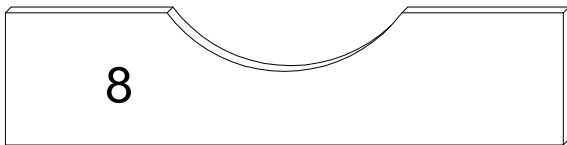
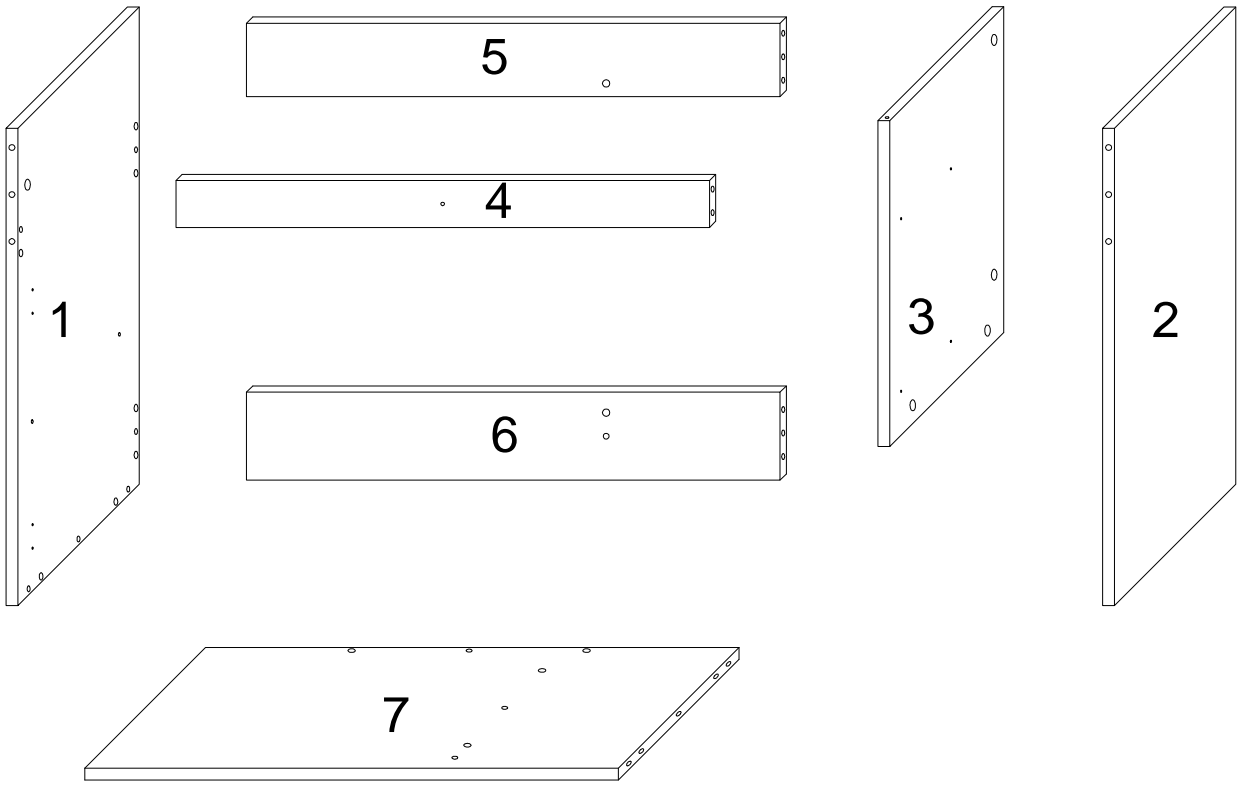
Dunedin Ph:03 4775885

Nelson Ph: 03 35488858

Online Order: www.lennoxbathroom.nz

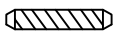
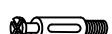
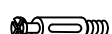

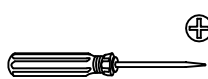
NO.	Schema	PCS	Dimension(mm)
①		20	$\phi 8 \times 30\text{mm}$
②		38	$\phi 6 \times 32\text{mm}$
③		39	
④		30	
⑤		2	
⑥		40	$M4 \times 14\text{mm}$
⑦		2	
⑧		4	
⑨		8	$M4 \times 18\text{mm}$
⑩		4	
⑪		12	$M4 \times 12\text{mm}$
⑫		9	$M4 \times 25\text{mm}$
⑬		1	$\phi 6 \times 32\text{mm}$
⑭		2	
⑮		4	

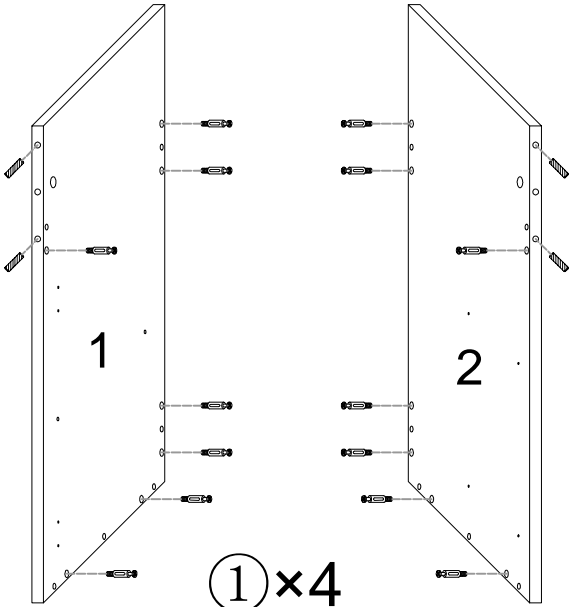
NO.	Schema	PCS	Dimension(mm)
1		1	650 × 305 × 16
2		1	650 × 305 × 16
3		1	444 × 288 × 16
4		1	817 × 64 × 16
5		1	817 × 100 × 16
6		1	817 × 120 × 16
7		1	817 × 305 × 16
8		1	850 × 180 × 15
9		1	542 × 280 × 16
10		1	467 × 282 × 15
11		1	467 × 282 × 15
12		2	250 × 120 × 16
13		2	250 × 120 × 16
14		2	217 × 120 × 16
15		2	217 × 120 × 16
16		2	230 × 230 × 2.7
17		2	282 × 232 × 15



× 2

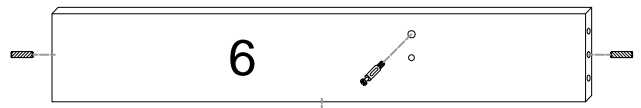
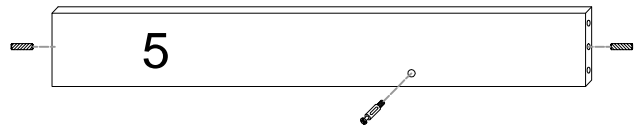
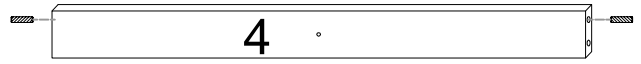
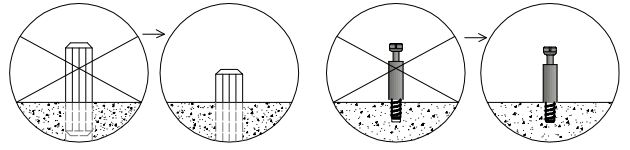
1

$\textcircled{1} \times 20$ 	$\textcircled{2} \times 22$ 	$\textcircled{13} \times 1$ 		
------------------------------------------------------------------------------------------------------------------	------------------------------------------------------------------------------------------------------------------	------------------------------------------------------------------------------------------------------------------	------------------------------------------------------------------------------------	-------------------------------------------------------------------------------------



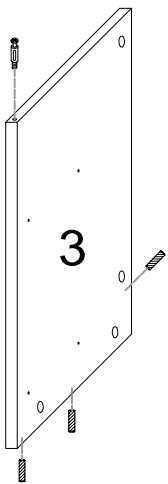
$\textcircled{1} \times 4$

$\textcircled{2} \times 14$



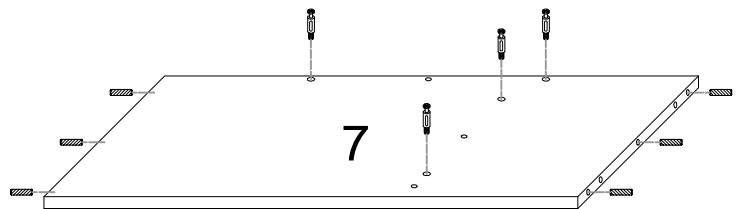
$\textcircled{1} \times 7$

$\textcircled{2} \times 2$



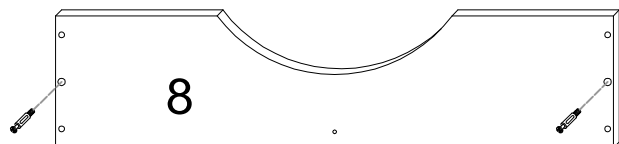
$\textcircled{1} \times 3$

$\textcircled{13} \times 1$



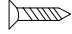
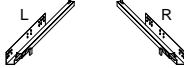
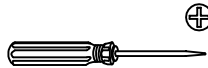


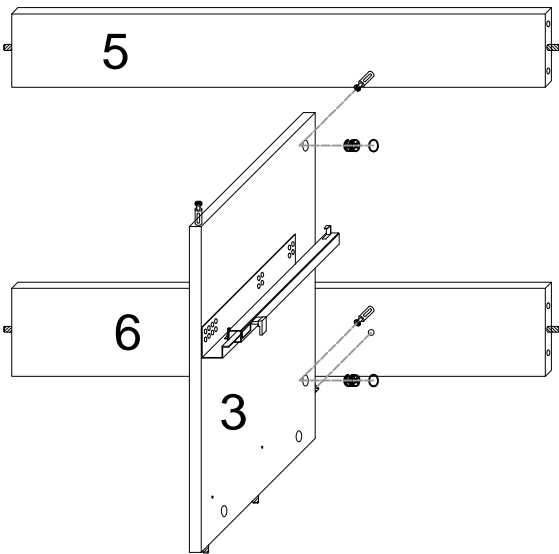
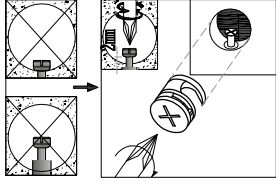
$\textcircled{1} \times 6$

$\textcircled{2} \times 6$

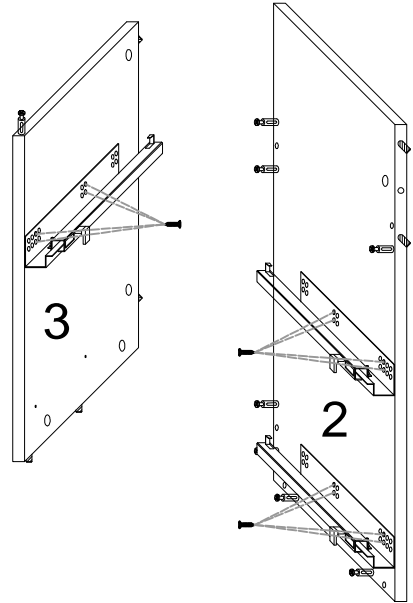


2

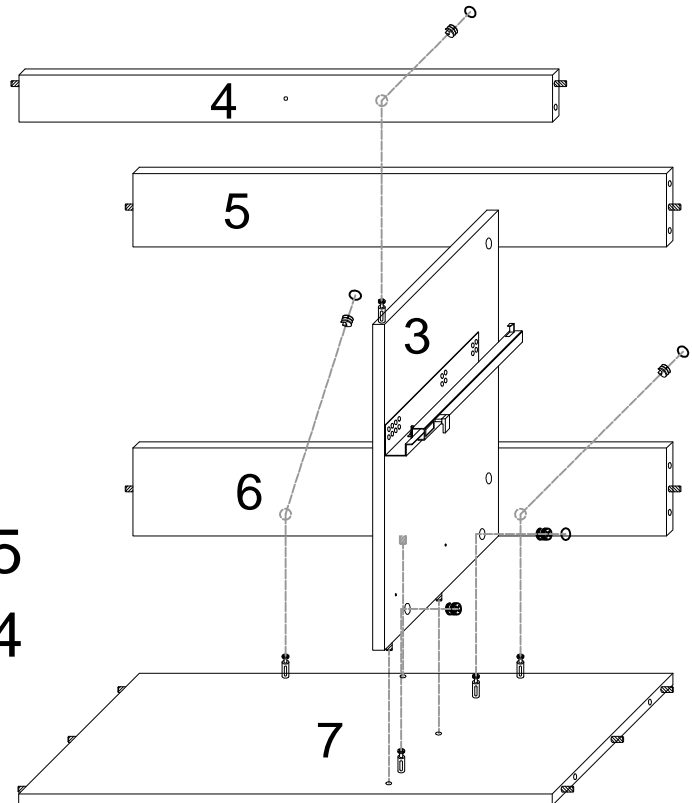
$\textcircled{3} \times 7$ 	$\textcircled{4} \times 6$ 	$\textcircled{6} \times 12$  M4 × 14	$\textcircled{7} \times 2$ 	
-----------------------------------------------------------------------------------------------------------------	-----------------------------------------------------------------------------------------------------------------	-----------------------------------------------------------------------------------------------------------------------------	------------------------------------------------------------------------------------------------------------------	-------------------------------------------------------------------------------------



$\textcircled{6} \times 12$
 $\textcircled{7} \text{L} \times 1$
 $\textcircled{7} \text{R} \times 2$



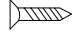
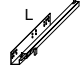
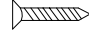



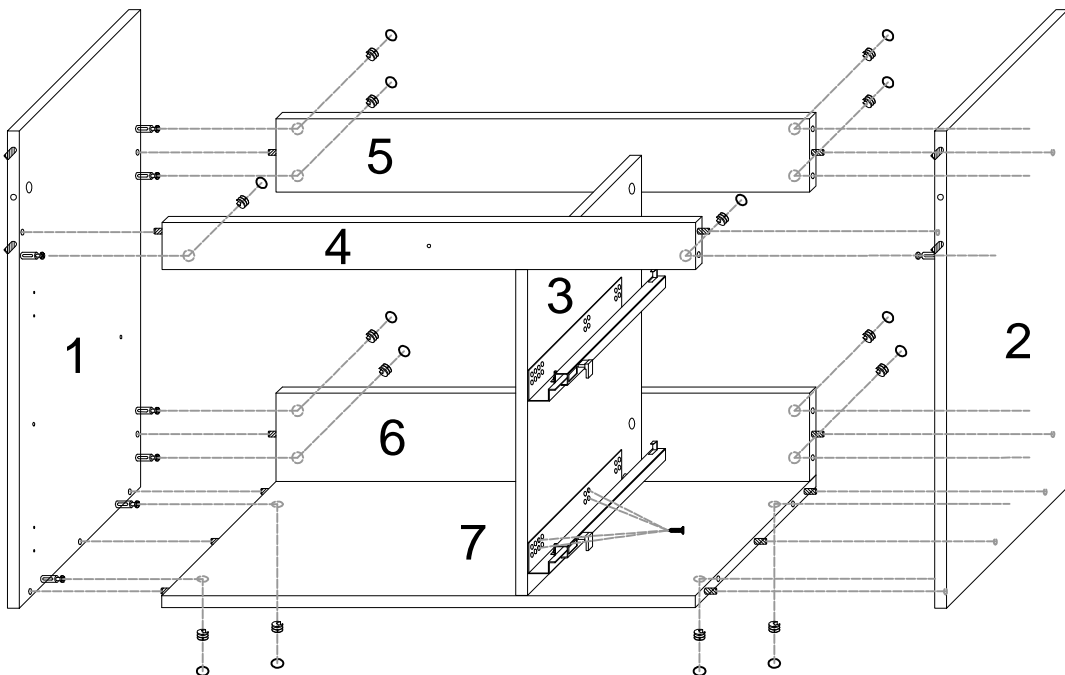
$\textcircled{3} \times 2$
 $\textcircled{4} \times 2$



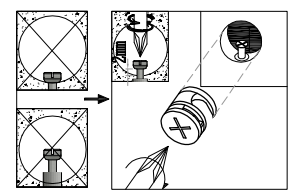
$\textcircled{3} \times 5$
 $\textcircled{4} \times 4$

3

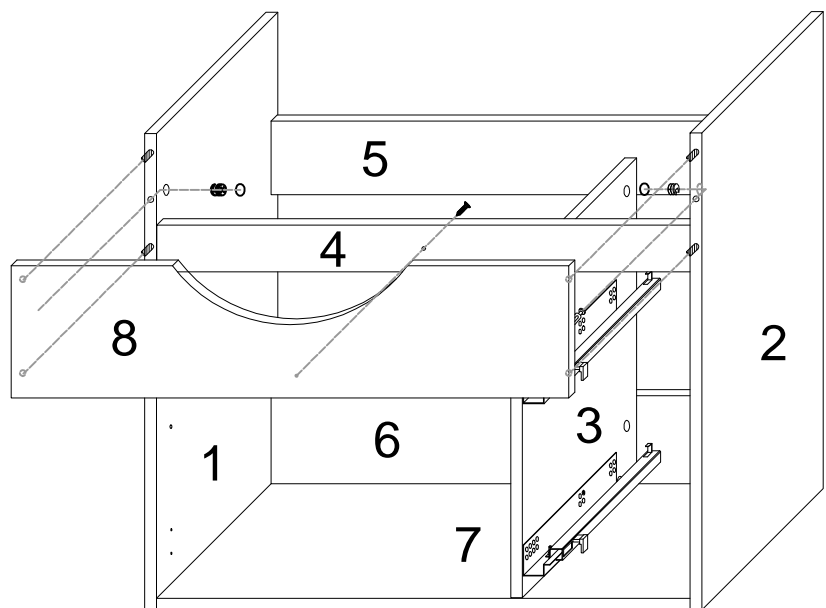
③ × 16 	④ × 16 	⑥ × 4 M4 × 14 	⑦L × 1 	⑫ × 1 M4 × 25 
 ⊕				



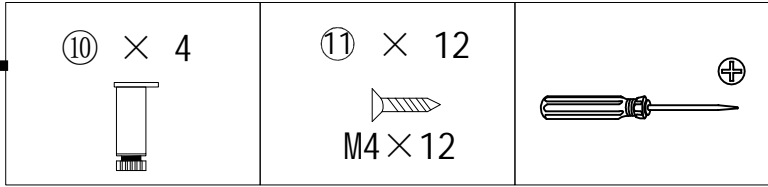
- ③ × 14
- ④ × 14
- ⑥ × 4
- ⑦L × 1



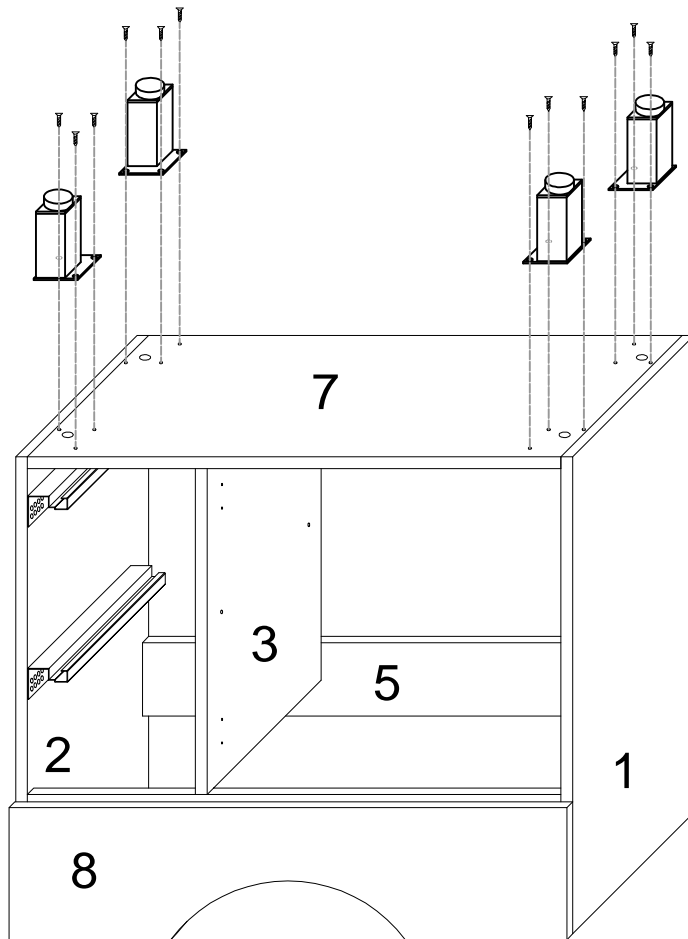
- ③ × 2
- ④ × 2
- ⑫ × 1



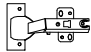
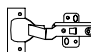
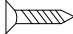




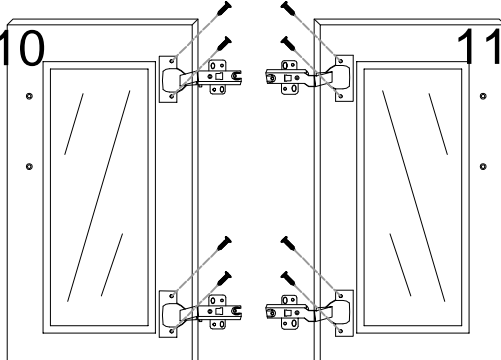
4



⑩ × 4
⑪ × 12



5

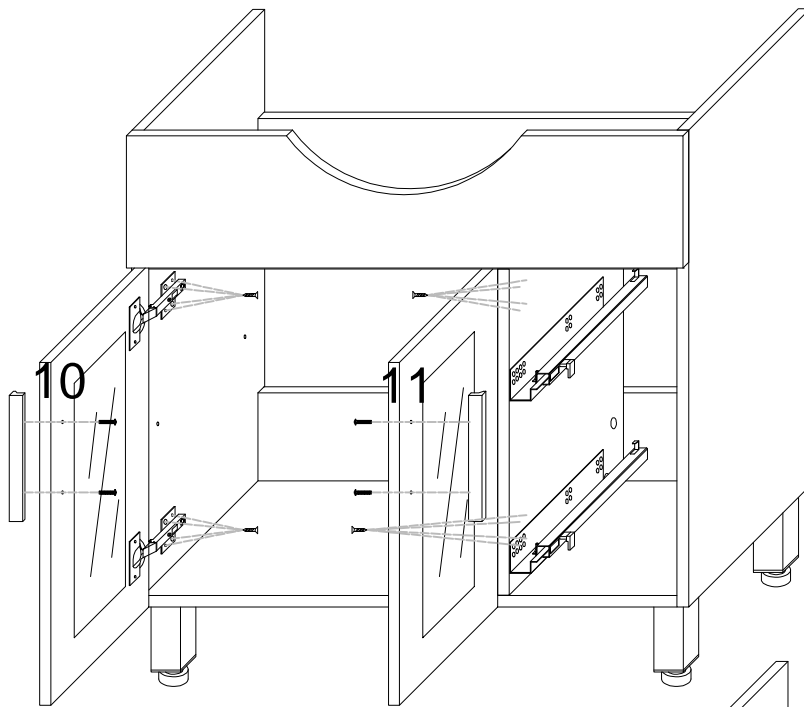
$\textcircled{5} \times 2$ 	$\textcircled{14} \times 2$ 	$\textcircled{6} \times 24$ M4 × 14 	$\textcircled{8} \times 2$ 	$\textcircled{9} \times 4$ 
$\textcircled{15} \times 4$ 	 ⊕			

$\textcircled{5} \times 2$

$\textcircled{6} \times 4$

$\textcircled{6} \times 4$

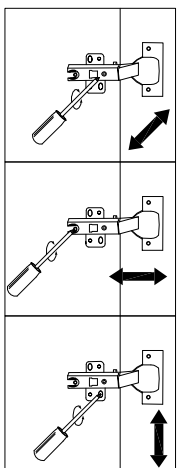
$\textcircled{14} \times 2$



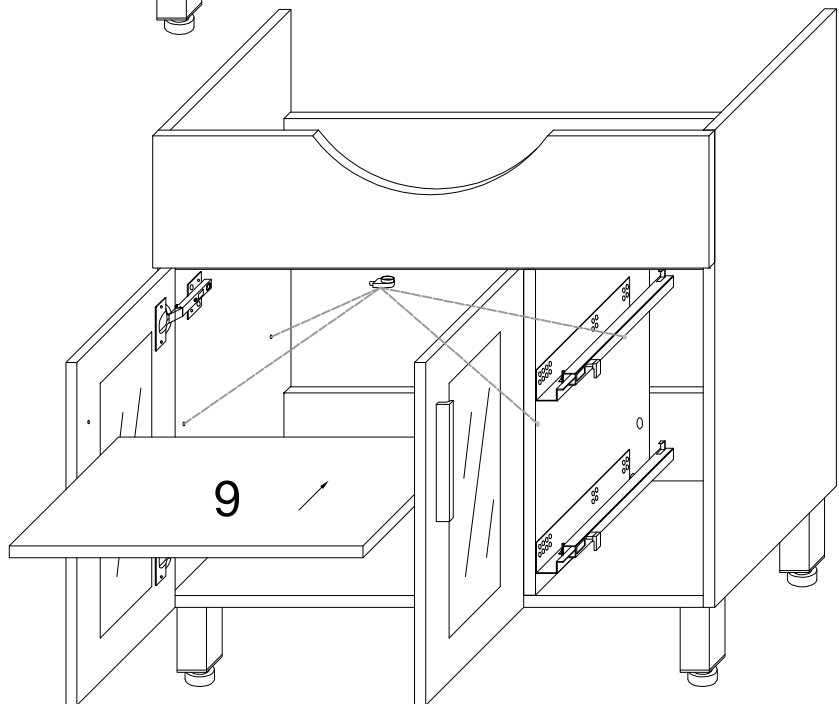
$\textcircled{6} \times 16$

$\textcircled{8} \times 2$




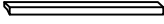
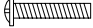
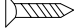

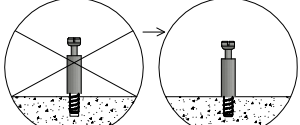
$\textcircled{9} \times 4$

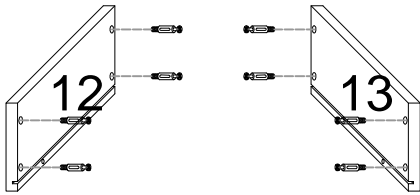


$\textcircled{15} \times 4$

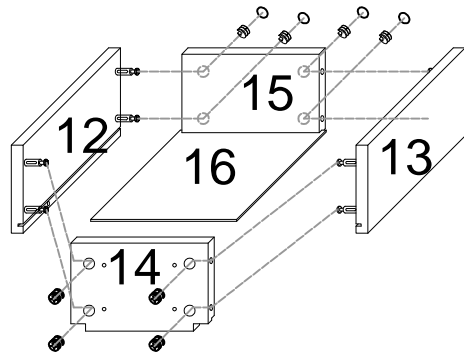


6

$\textcircled{2} \times 16$ 	$\textcircled{3} \times 16$ 	$\textcircled{4} \times 8$ 	$\textcircled{8} \times 2$ 	$\textcircled{9} \times 4$ 
$\textcircled{12} \times 8$  M4 × 25				

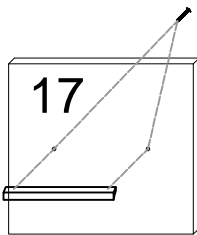


$\textcircled{2} \times 8$



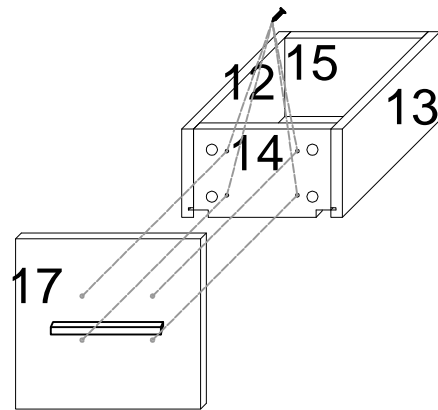
$\textcircled{3} \times 8$

$\textcircled{4} \times 4$



$\textcircled{8} \times 1$

$\textcircled{9} \times 2$



$\textcircled{12} \times 4$

× 2

7

