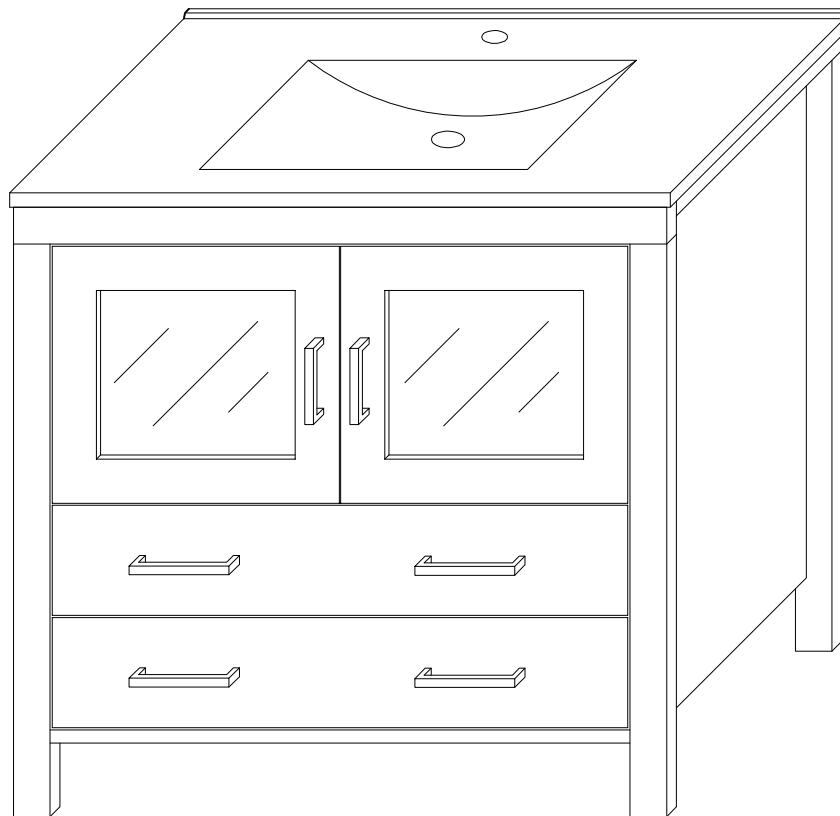


# Model No.: Dekkor900



**THE LENNOX™  
BATHROOM**

*Ideas for life style*

Auckland Ph:09 2710168

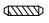



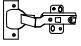

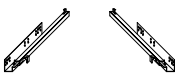
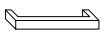





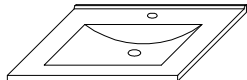
Hamilton Ph:07 8477722

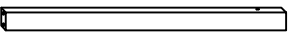
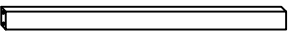
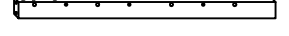
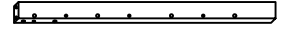
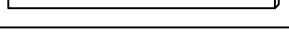
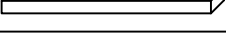
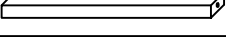
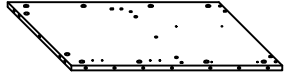
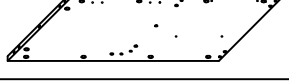
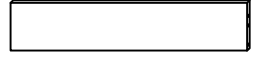
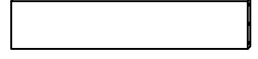
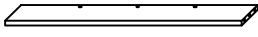
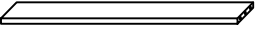
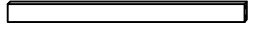
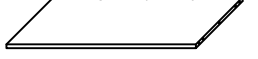
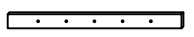
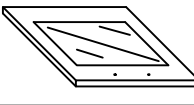
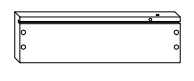
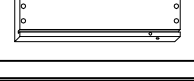
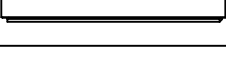
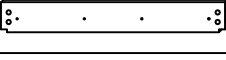
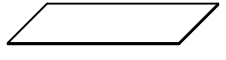

Christchurch Ph:03 3488885

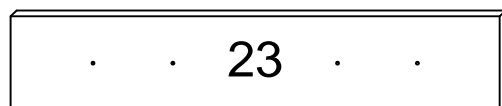
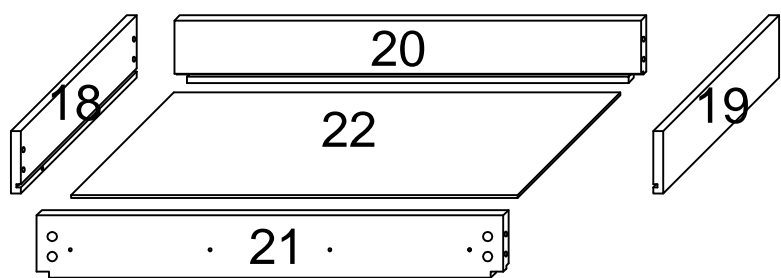
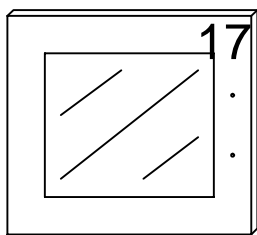
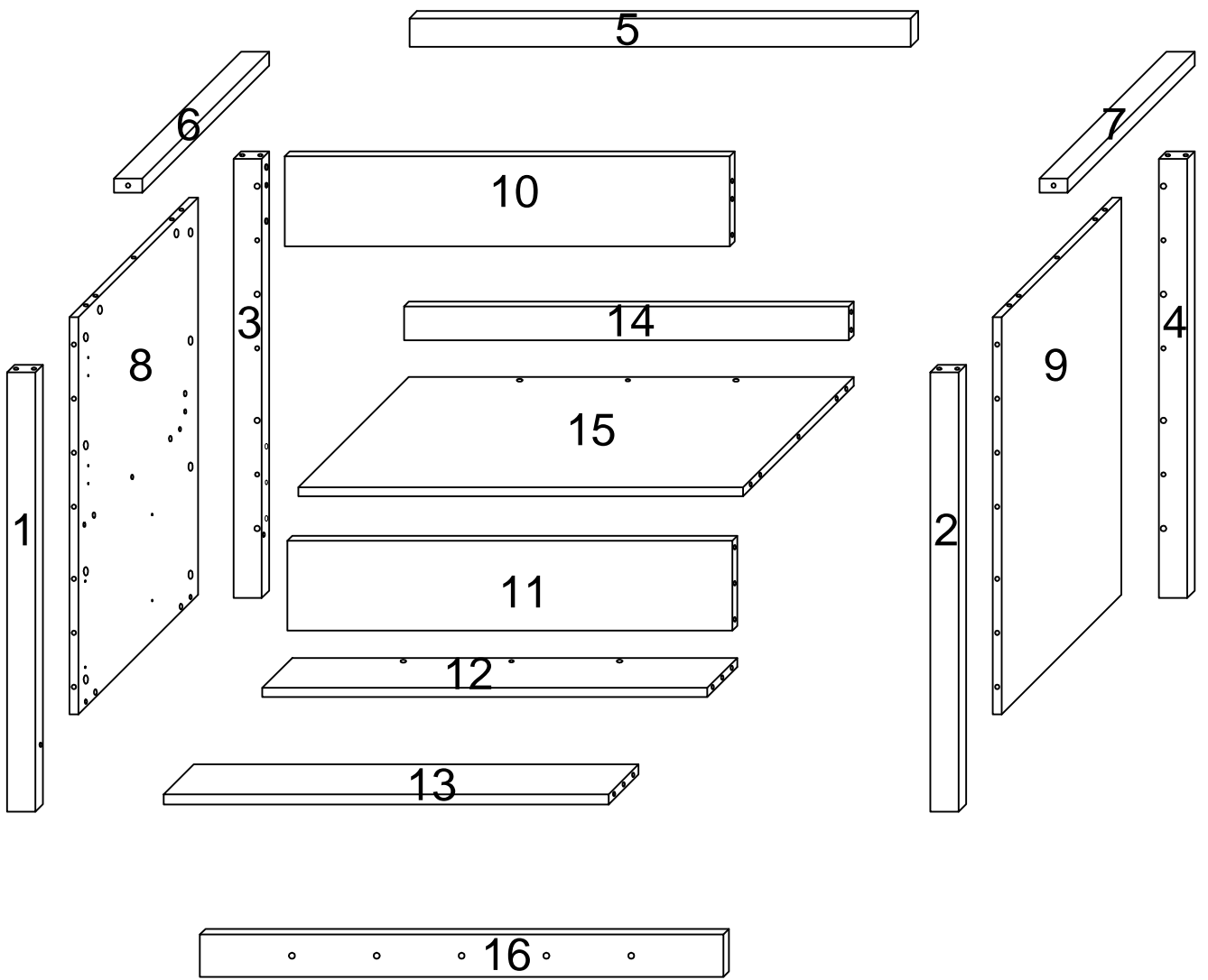
Dunedin Ph:03 4775885

Nelson Ph: 03 35488858

Online Order: [www.lennoxbathroom.nz](http://www.lennoxbathroom.nz)

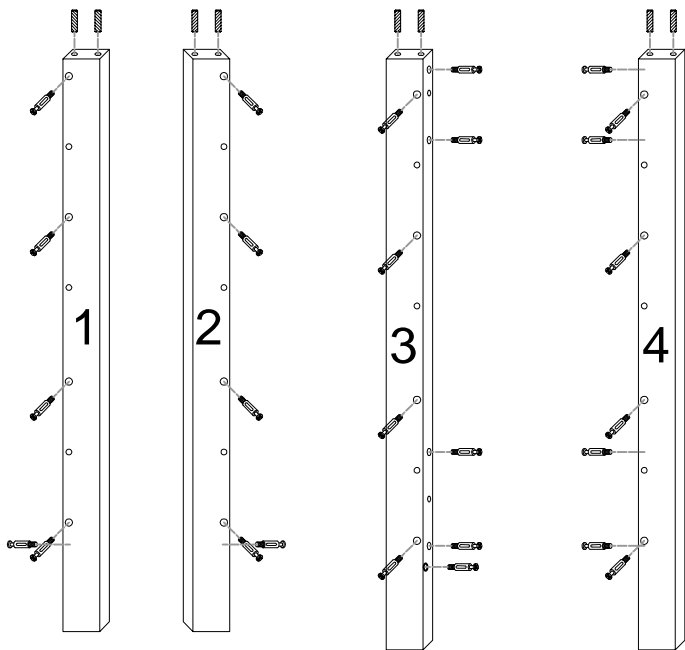
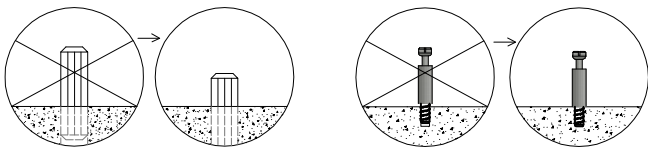
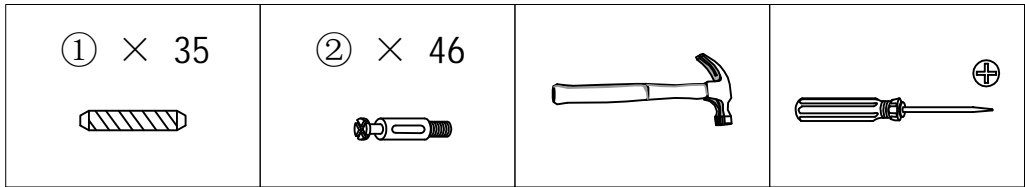
NO.	Schema	PCS	Dimension(mm)
①		44	$\phi 8 \times 30\text{mm}$
②		64	$\phi 6 \times 32\text{mm}$
③		64	
④		52	
⑤		4	
⑥		40	$M4 \times 14\text{mm}$
⑦		2	
⑧		2	
⑨		4	
⑩		12	$M4 \times 22\text{mm}$
⑪		8	$M4 \times 25\text{mm}$
⑫		4	
⑬		5	$M4 \times 30\text{mm}$
⑭		1	

NO.	Schema	PCS	Dimension(mm)
1		1	780×50×25
2		1	780×50×25
3		1	805×50×25
4		1	805×50×25
5		1	890×50×25
6		1	425×50×25
7		1	425×50×25
8		1	705×400×16
9		1	705×400×16
10		1	790×160×16
11		1	790×160×16
12		1	790×100×16
13		1	790×100×18
14		1	790×60×16
15		1	790×370×16
16		1	790×64×16
17		2	350×391×18
18		2	350×100×16
19		2	350×100×16
20		2	748×100×16
21		2	748×100×16
22		2	760×330×4.7
23		2	784×150×18

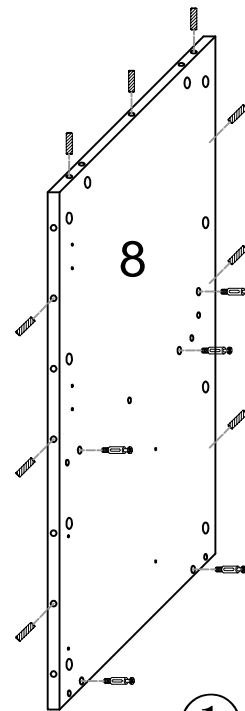


× 2

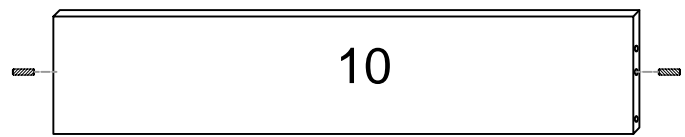
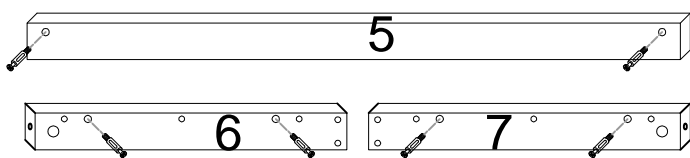
# 1



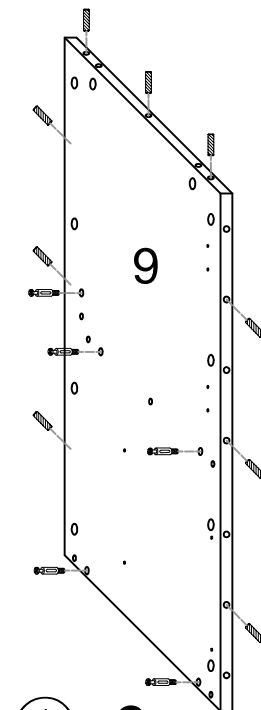
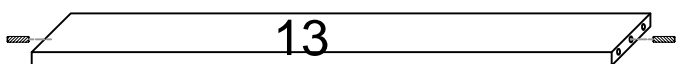
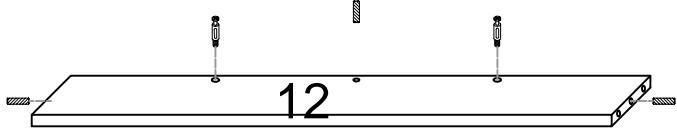
$\textcircled{1} \times 8$   
 $\textcircled{2} \times 28$



$\textcircled{1} \times 9$   
 $\textcircled{2} \times 5$

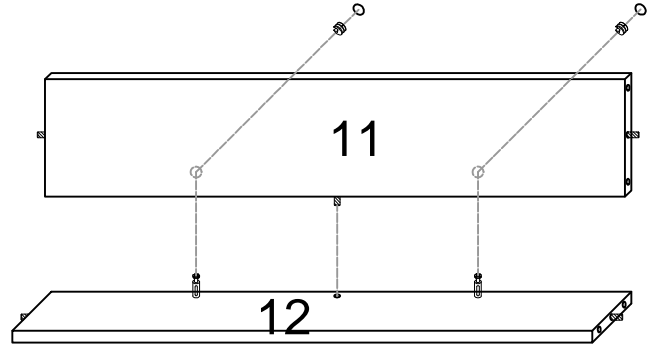
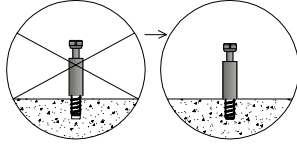
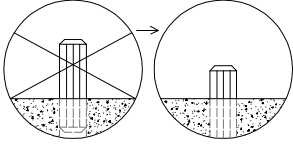
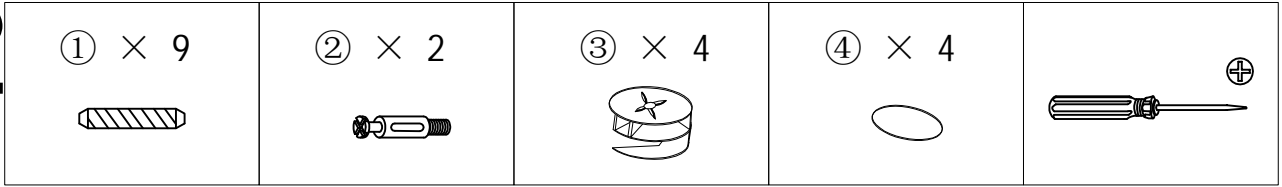


$\textcircled{1} \times 9$   
 $\textcircled{2} \times 8$



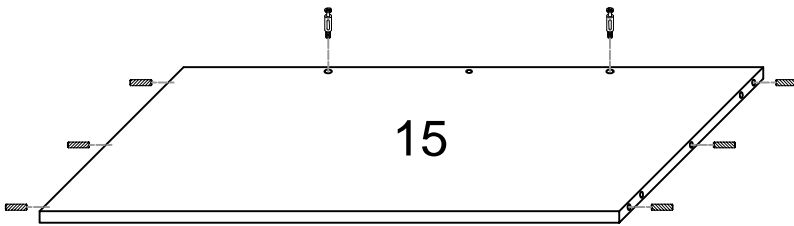
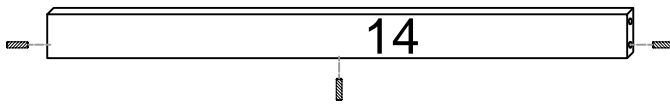
$\textcircled{1} \times 9$   
 $\textcircled{2} \times 5$

# 2



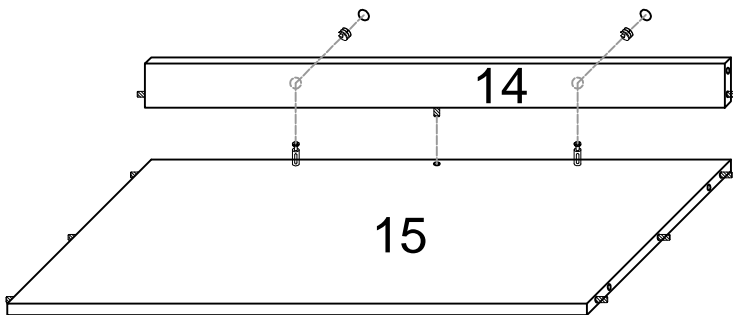
③ × 2

④ × 2



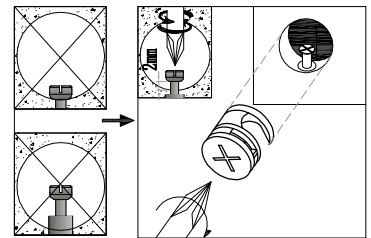
① × 9

② × 2



③ × 2

④ × 2



# 3

③ × 16



④ × 12

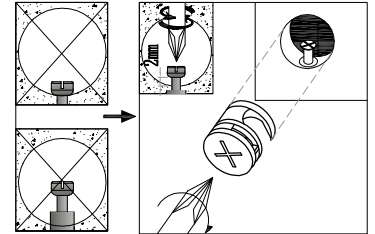
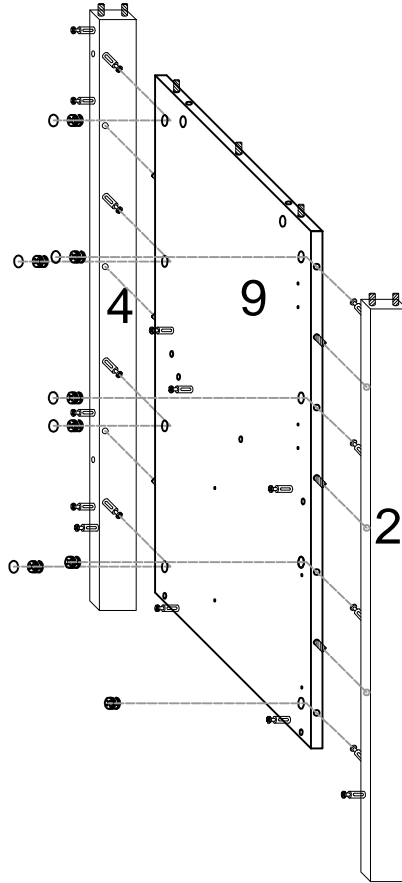
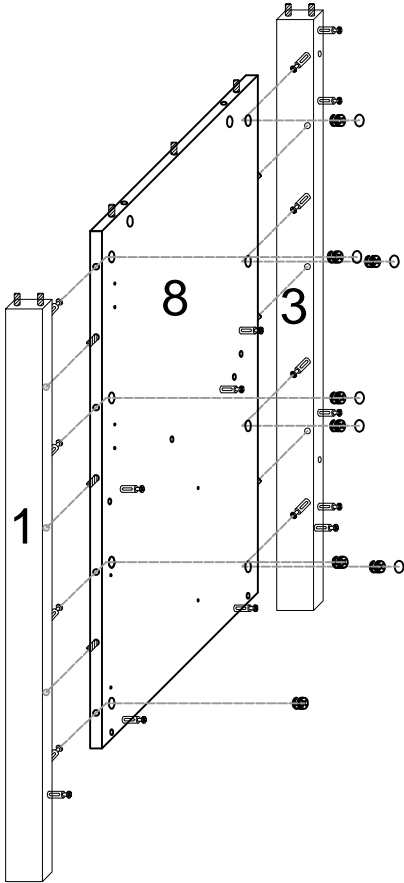
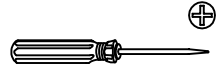
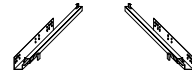


⑥ × 16



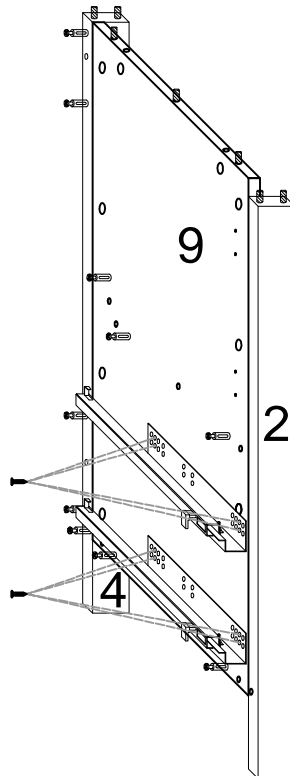
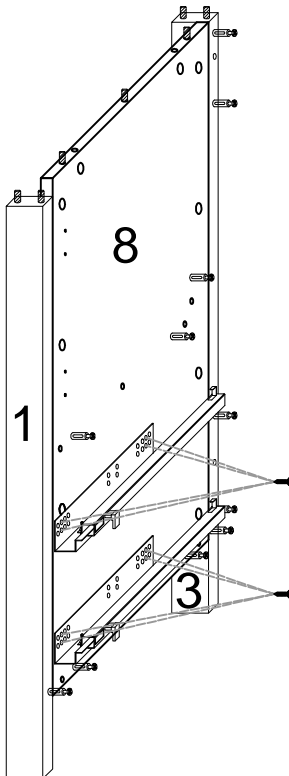
M4 × 14

⑦ × 2



③ × 16

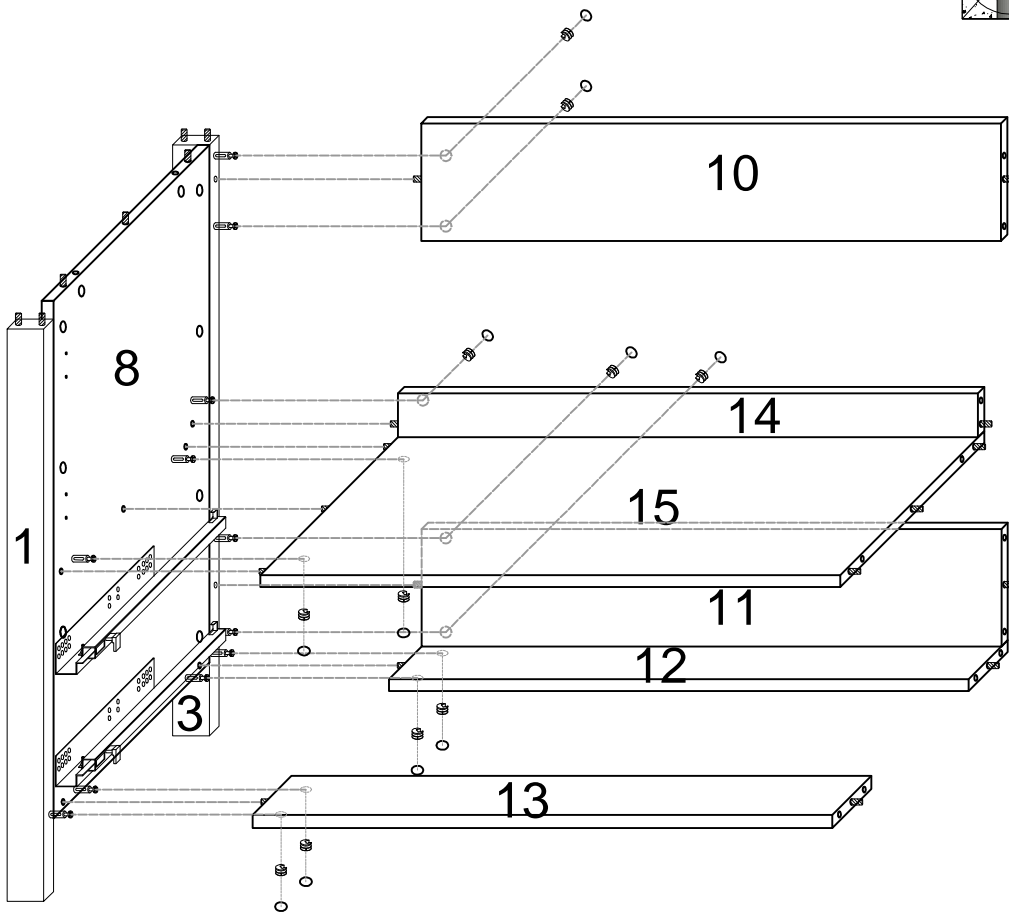
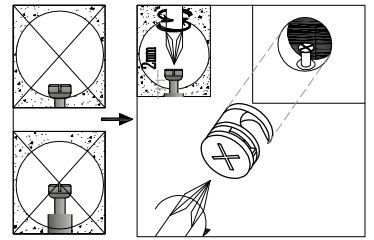
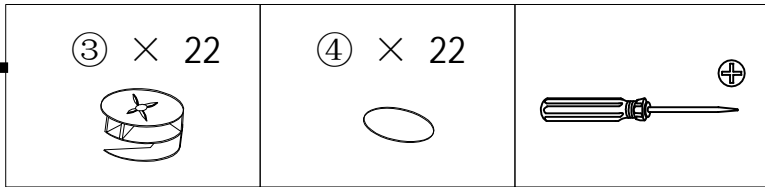
④ × 12



⑥ × 16

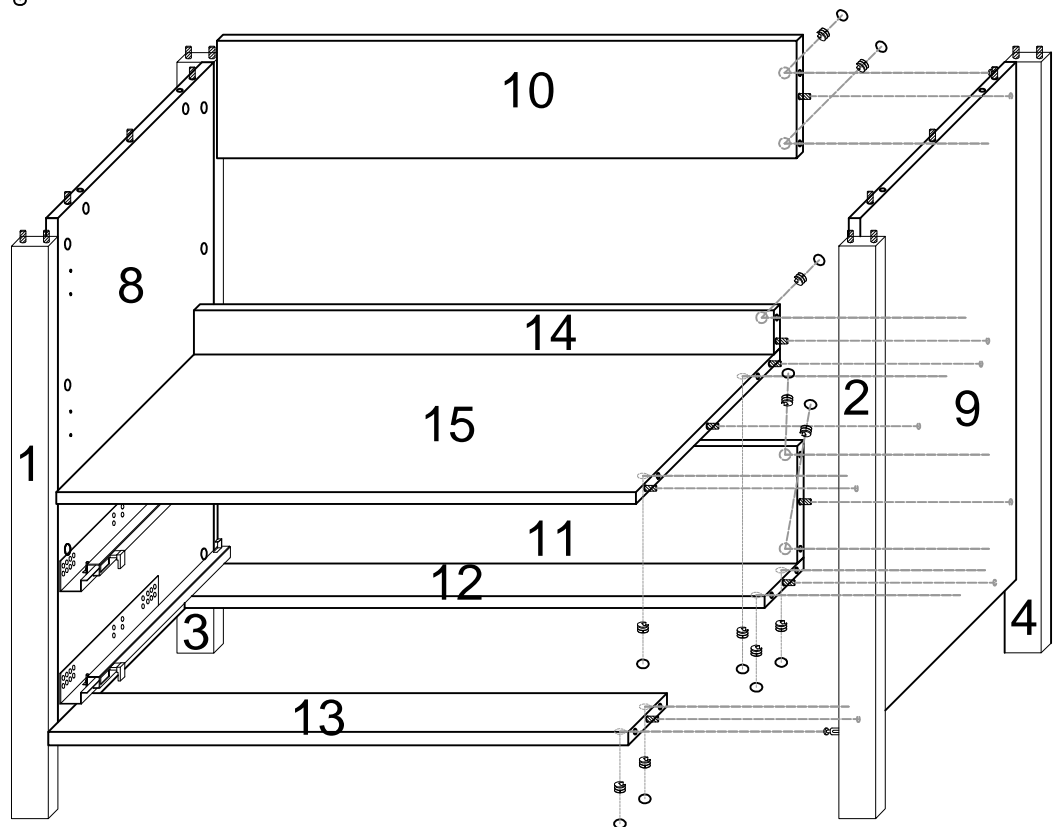
⑦ × 2

4



$\textcircled{3} \times 11$

$\textcircled{4} \times 11$

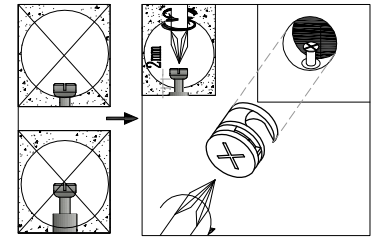
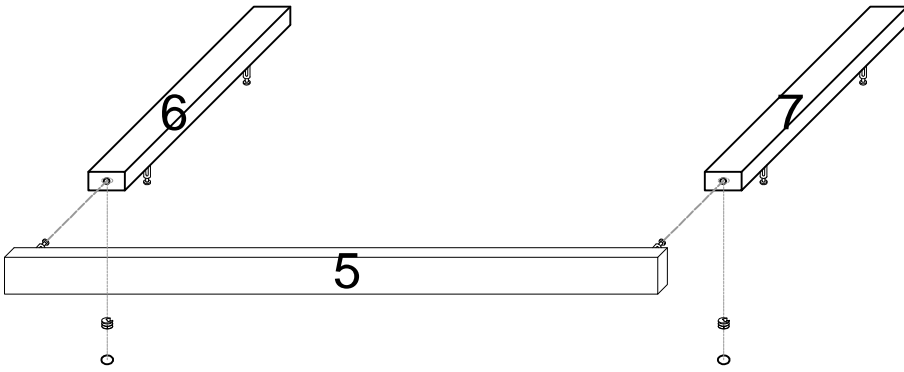
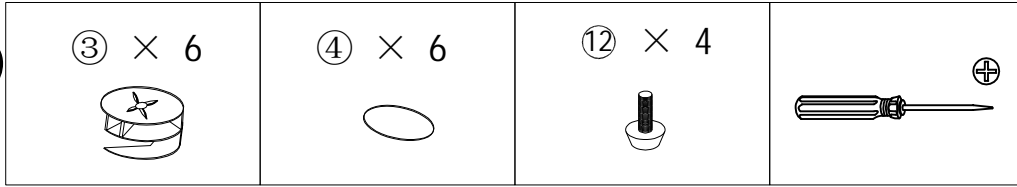


$\textcircled{3} \times 11$

$\textcircled{4} \times 11$

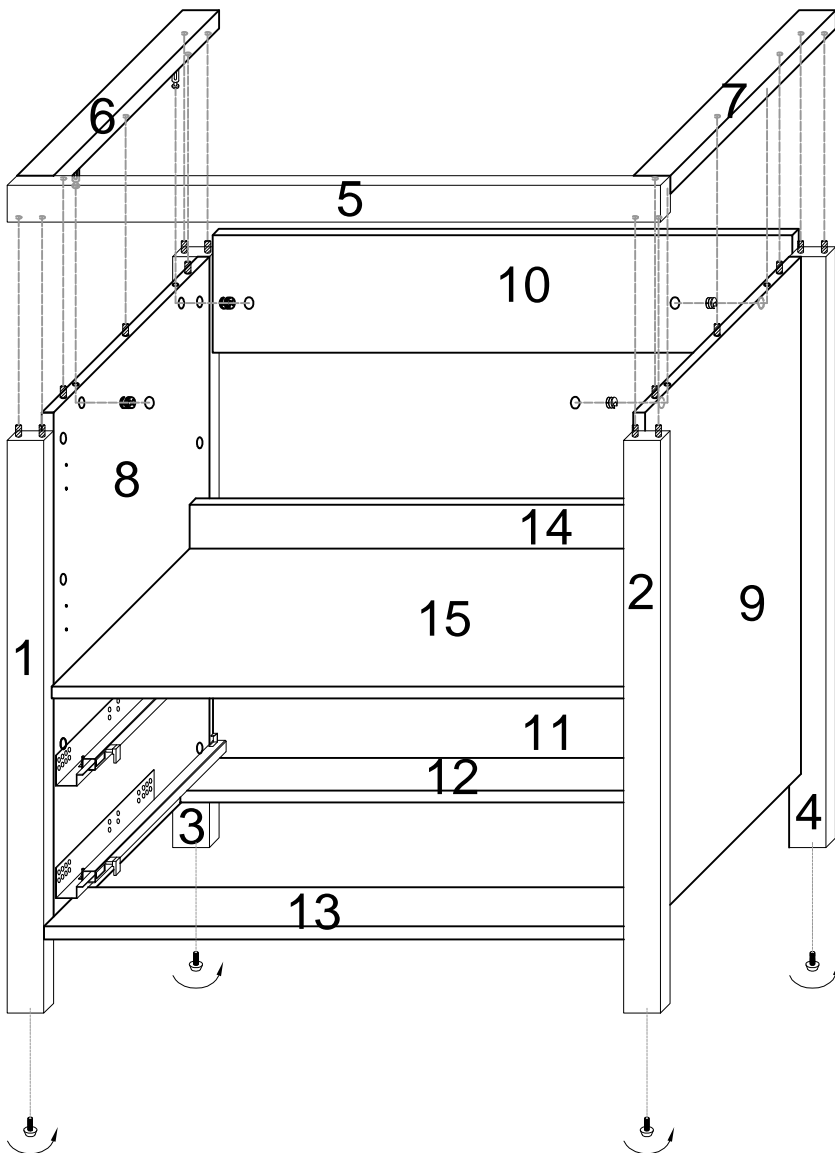


# 5



$\textcircled{3} \times 2$

$\textcircled{4} \times 2$

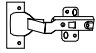
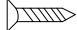


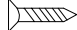


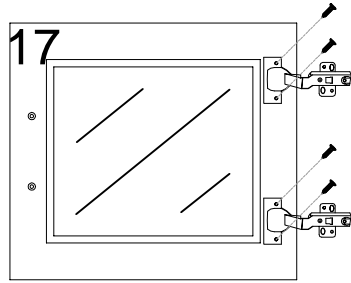
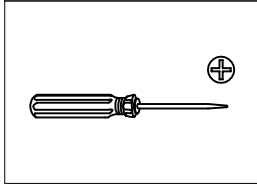
$\textcircled{3} \times 4$

$\textcircled{4} \times 4$

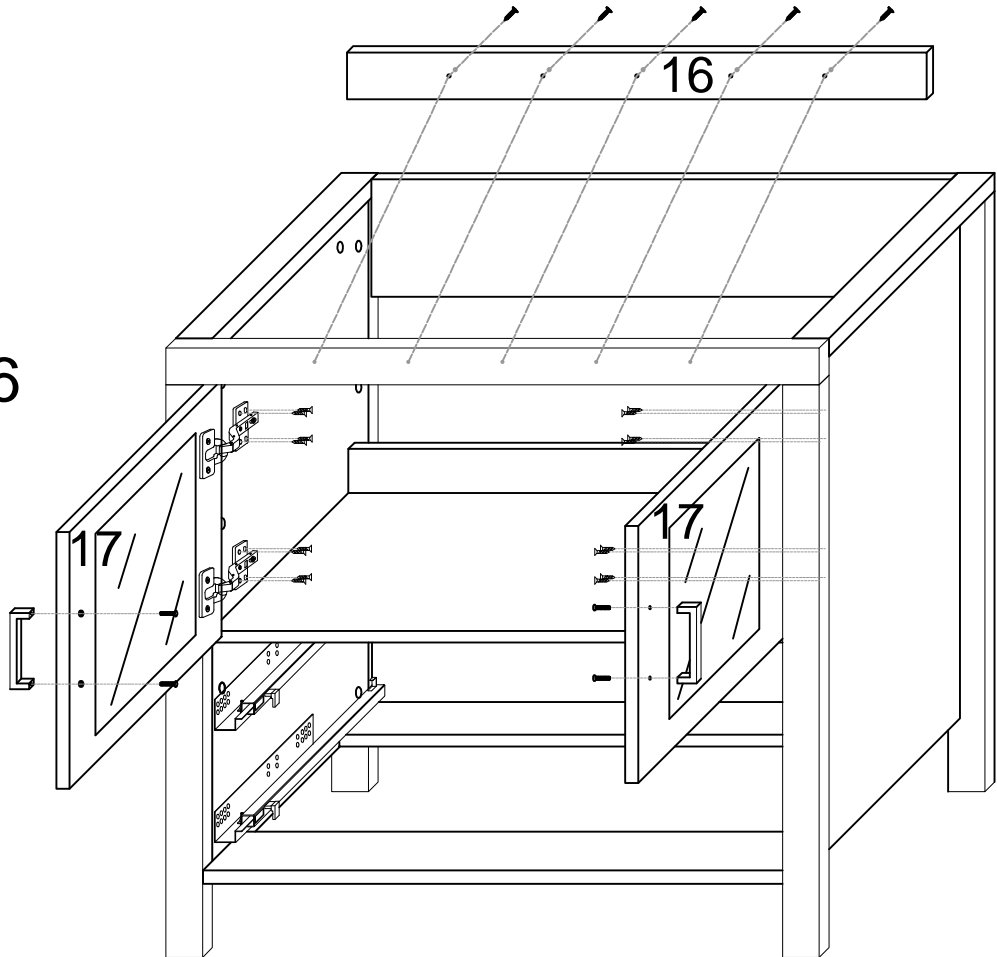
$\textcircled{12} \times 4$

# 6

⑤ × 4 	⑥ × 24 M4 × 14 	⑧ × 2 	⑩ × 4 	⑬ × 5  M4 × 30
--------------------------------------------------------------------------------------------	--------------------------------------------------------------------------------------------------------	--------------------------------------------------------------------------------------------	----------------------------------------------------------------------------------------------	---------------------------------------------------------------------------------------------------------



⑤ × 2 × 2  
⑥ × 4

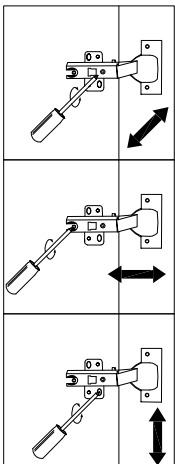


⑥ × 16

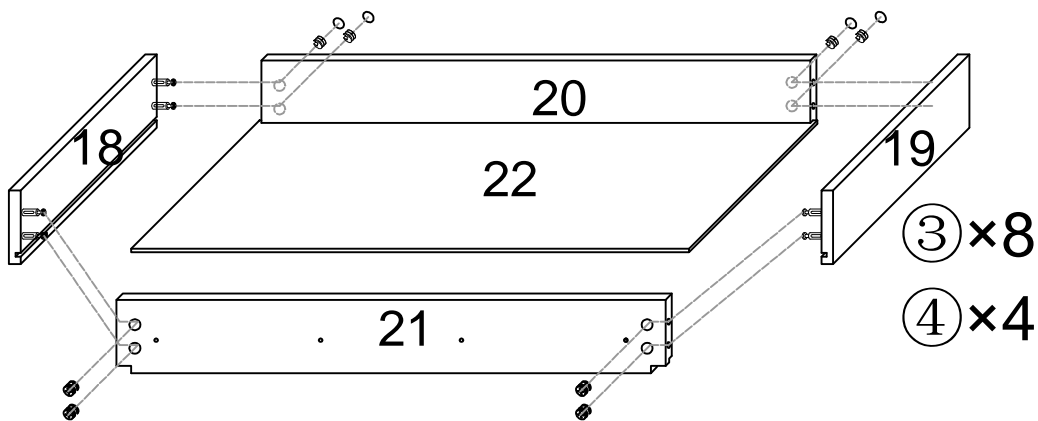
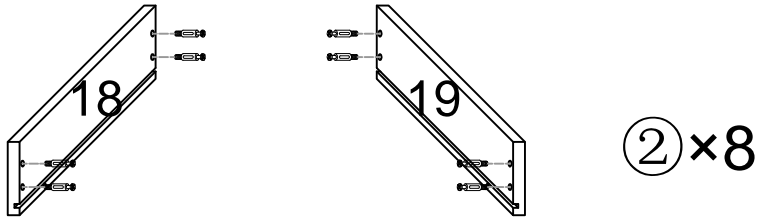
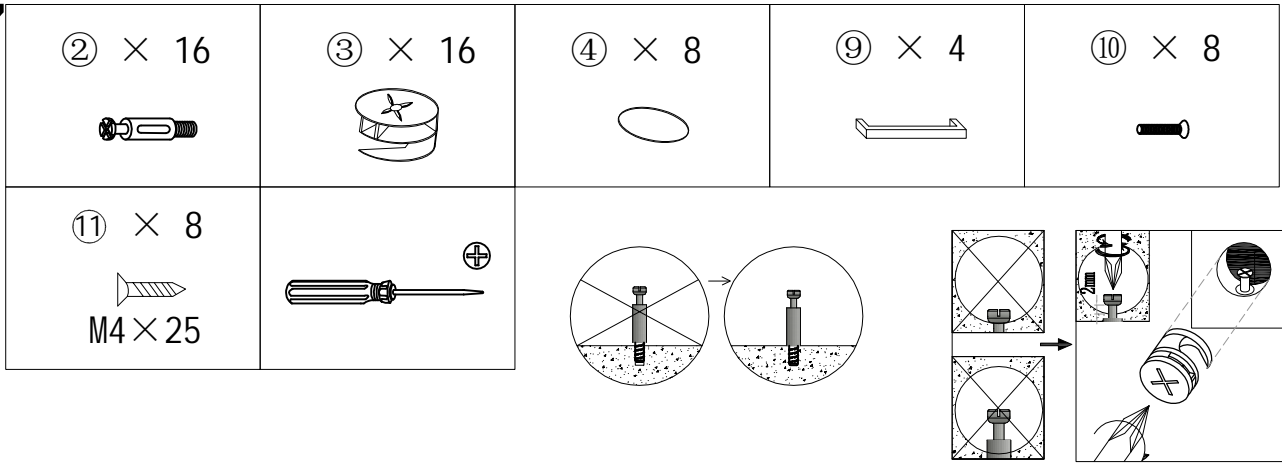
⑧ × 2

⑩ × 4

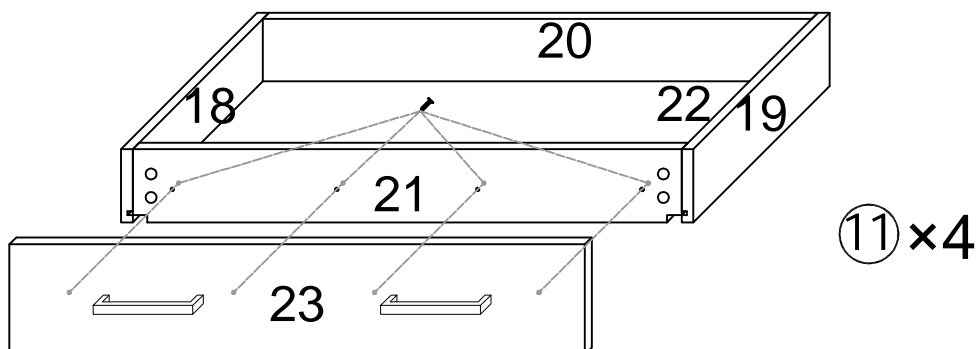
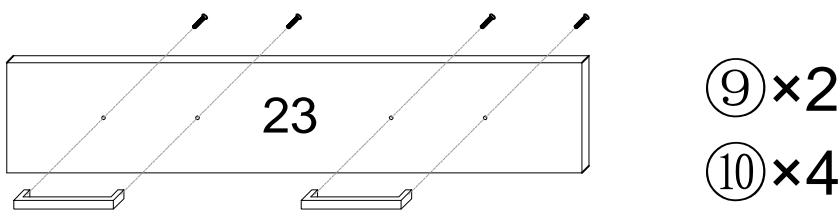
⑬ × 5



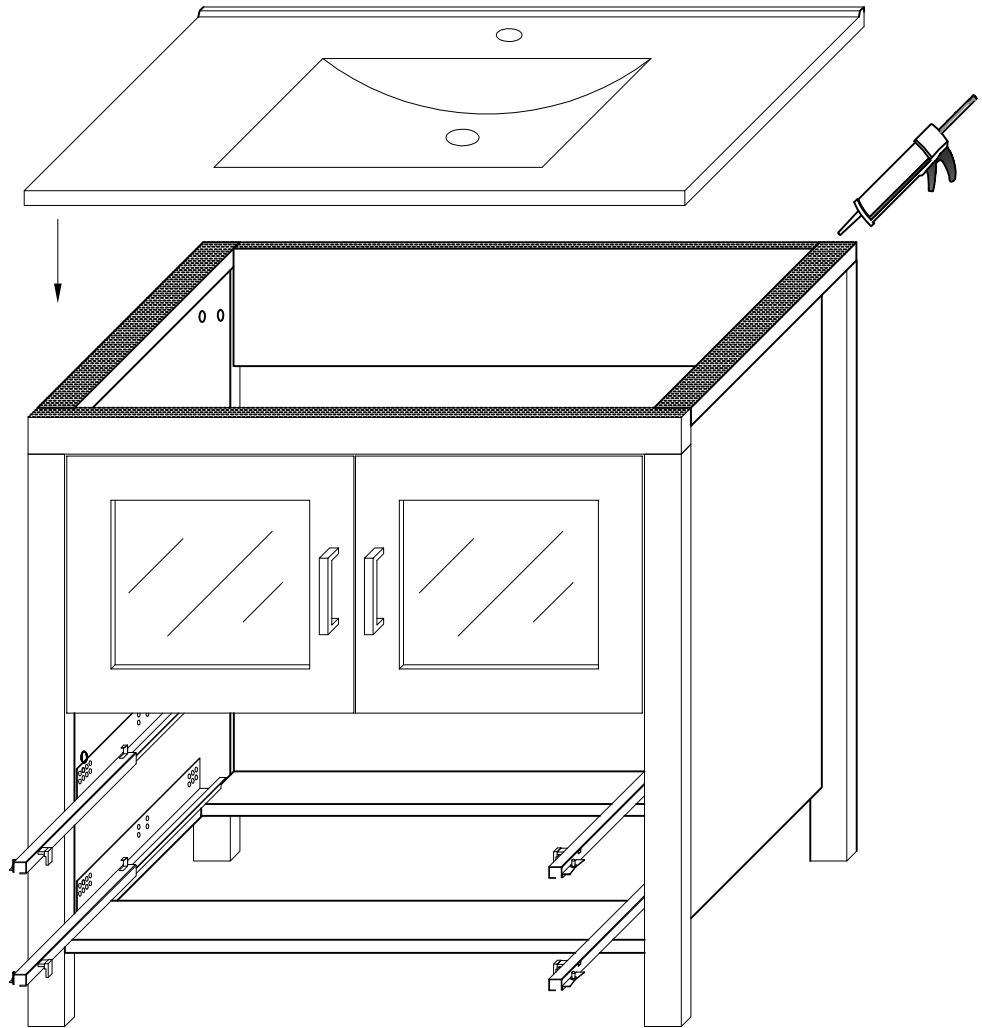
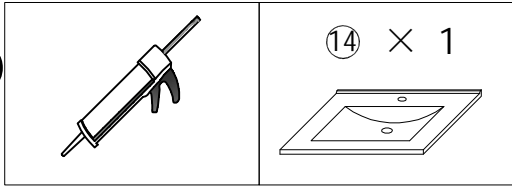
# 7



# × 2



8



①④ × 1

