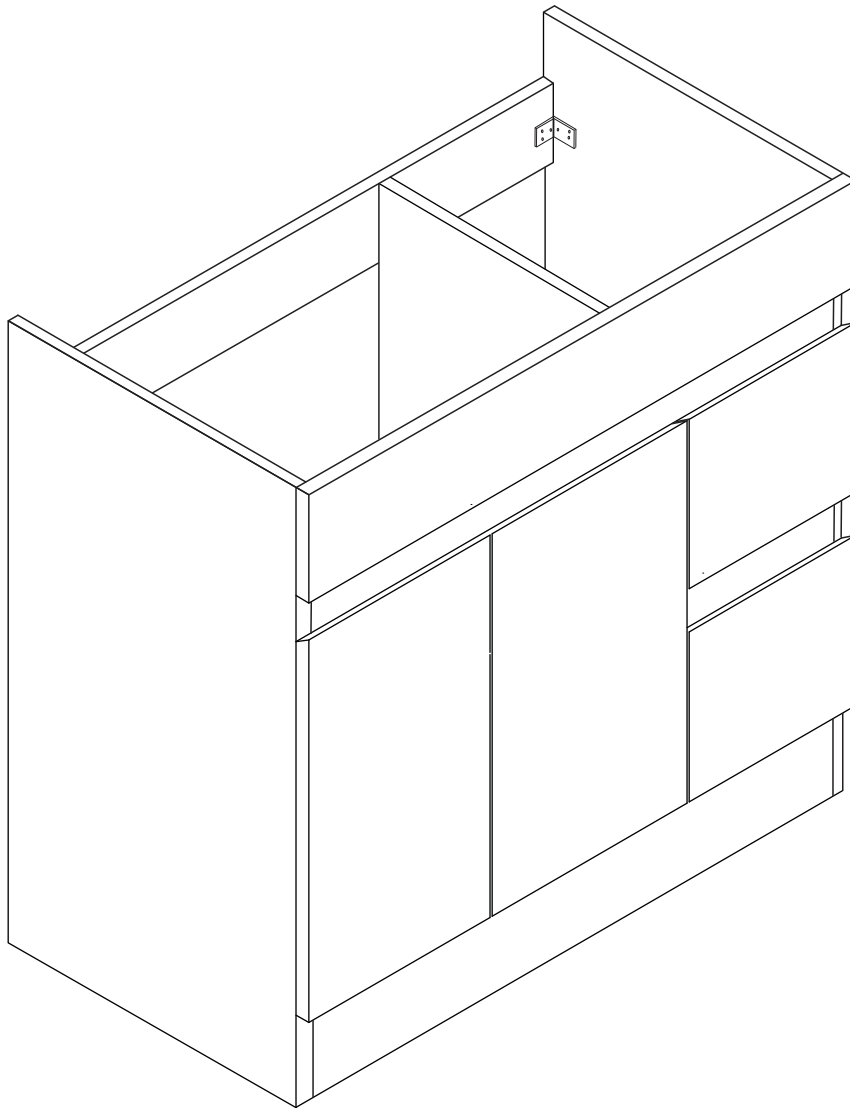




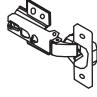

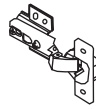

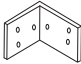
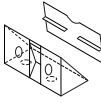

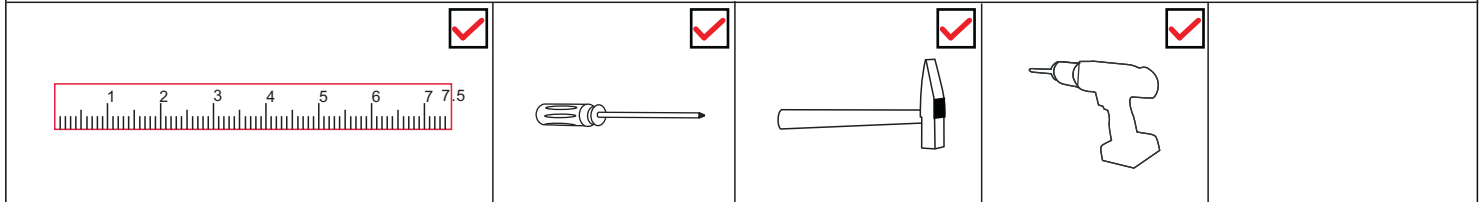


N900F



| | | | | | | | |
|---|--|--|--|---|---|---|---|
| A × 65  Ø14×11 mm | B × 65  M8×40 mm | C × 28  Ø6×40 mm | E × 64  M3.5×14 mm | F × 2  | H × 4  | I × 2  | J × 4  |
| K × 4  | L × 4  | R × 8  M4×25 mm | | | | | |

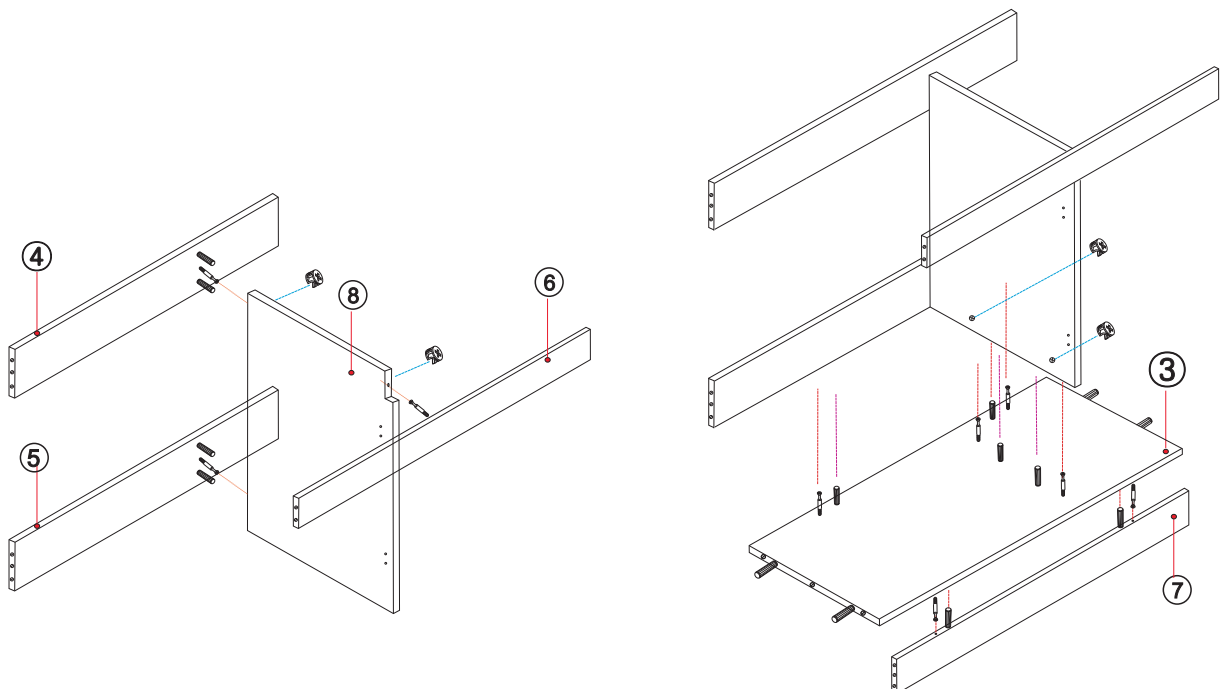
Tools not included:



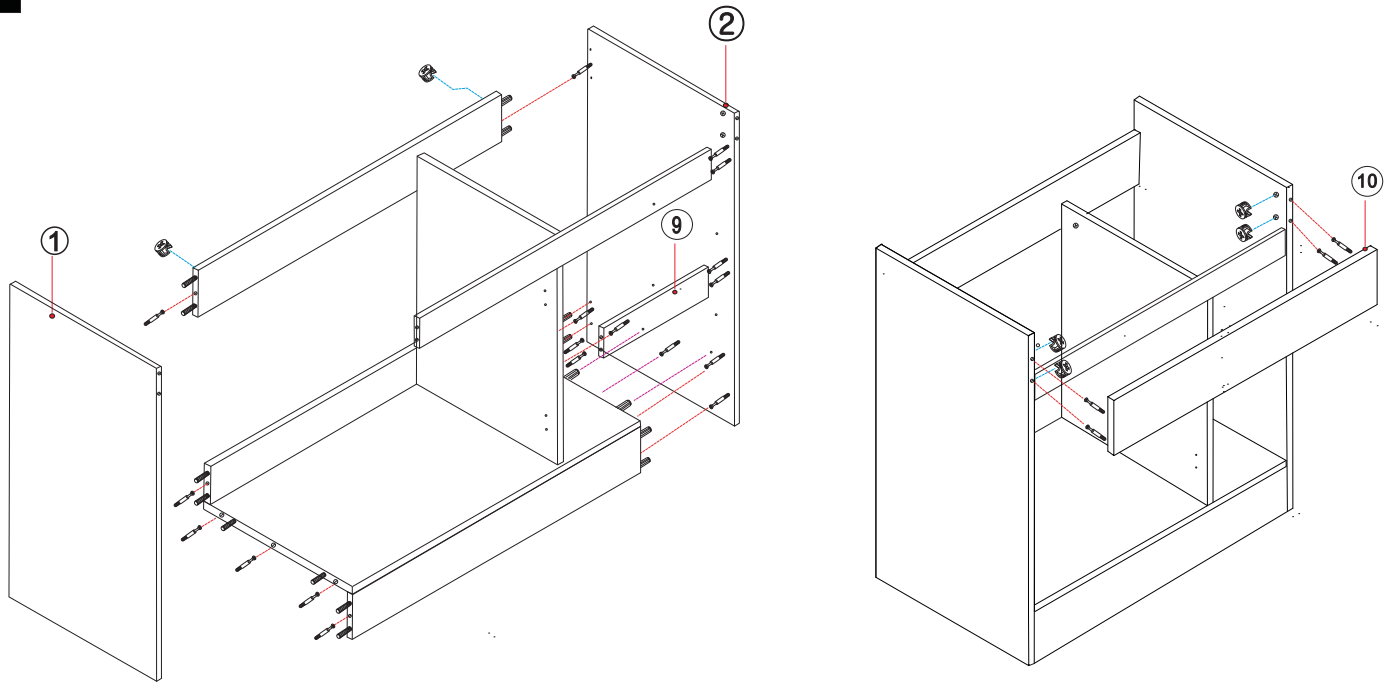
| NO. | Quantity | Dimension L×W×T (MM) |
|-----|----------|----------------------|
| ① | 1 | 830×435×15 |
| ② | 1 | 830×435×15 |
| ③ | 1 | 850×435×15 |
| ④ | 1 | 850×118×15 |
| ⑤ | 1 | 850×118×15 |
| ⑥ | 1 | 850×60×15 |
| ⑦ | 1 | 850×100×15 |
| ⑧ | 1 | 555×420×15 |
| ⑨ | 1 | 270×60×15 |
| ⑩ | 1 | 880×140×15 |
| ⑪ | 1 | 560×292×15 |

| NO. | Quantity | Dimension L×W×T (MM) |
|-----|----------|----------------------|
| ⑫ | 1 | 560×292×15 |
| ⑬ | 2 | 292×265×15 |
| ⑭ | 1 | 558×415×15 |
| ⑮ | 2 | 350×118×15 |
| ⑯ | 2 | 350×118×15 |
| ⑰ | 2 | 229×108×15 |
| ⑱ | 2 | 229×108×15 |
| ⑲ | 2 | 320×229×15 |
| | | |
| | | |
| | | |

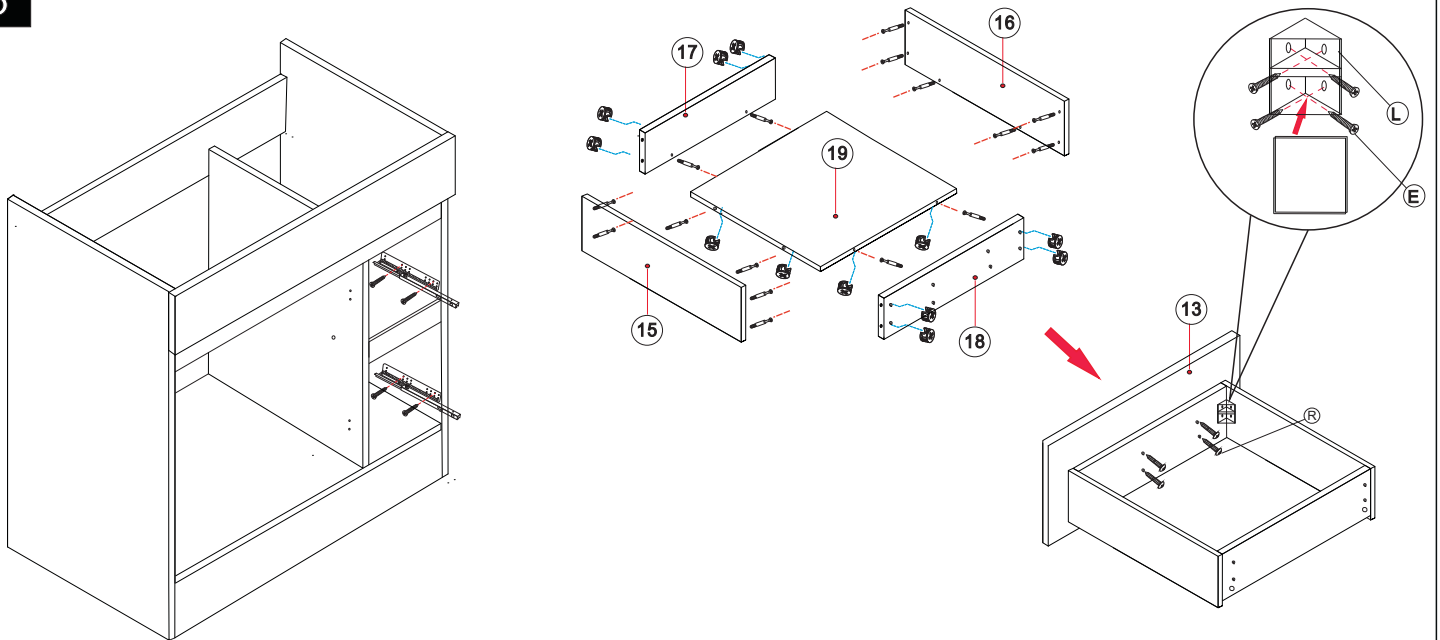
1



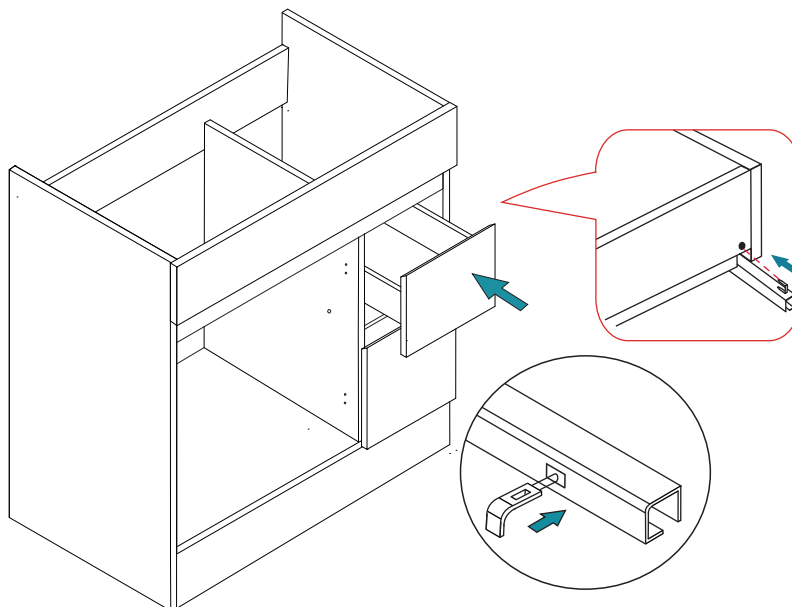
2



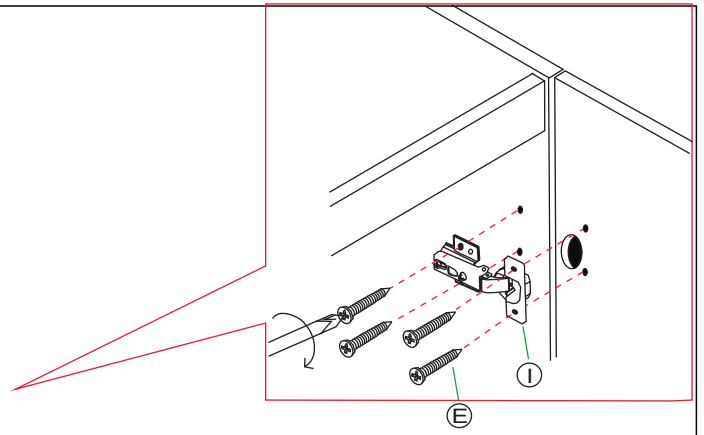
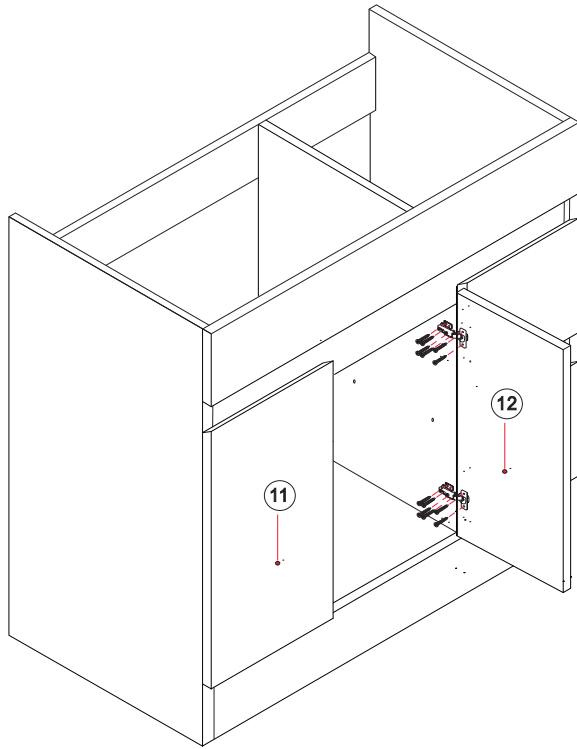
3



4



5



6

