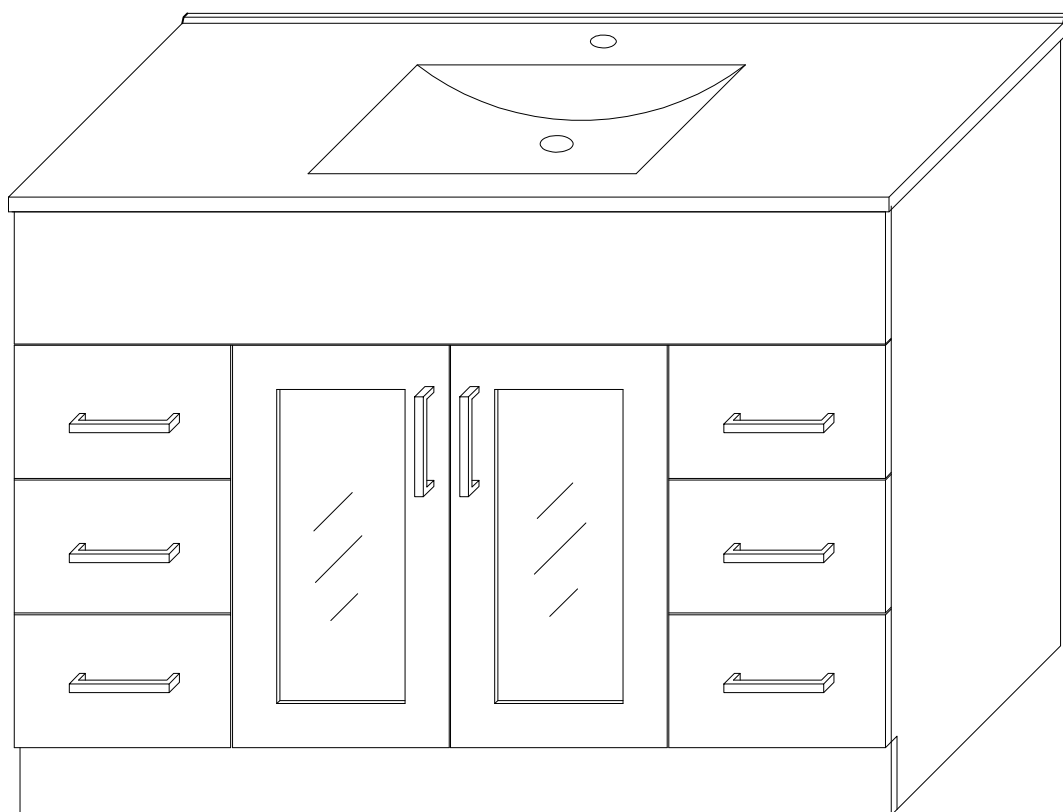


# Model No.:T1200F



**THE LENNOX™  
BATHROOM**

*Ideas for life style*

Auckland Ph:09 2710168

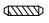



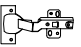
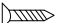
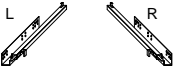

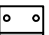
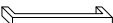

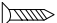


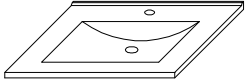
Hamilton Ph:07 8477722

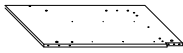
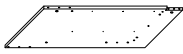

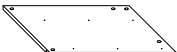
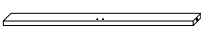



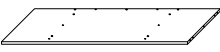

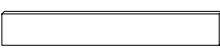

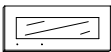

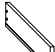

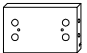
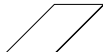
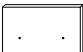


Christchurch Ph:03 3488885

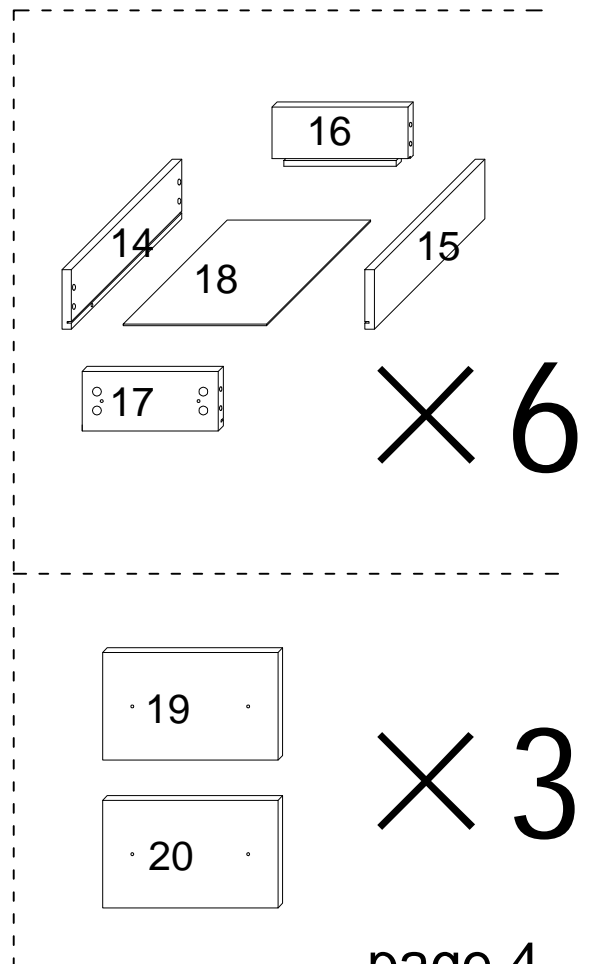
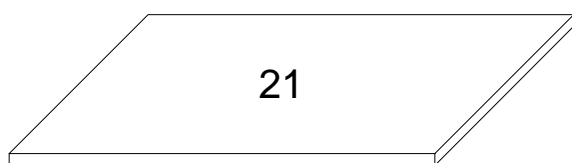
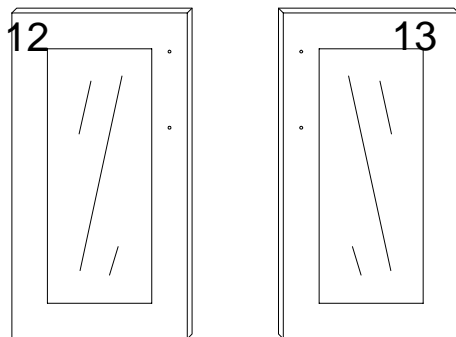
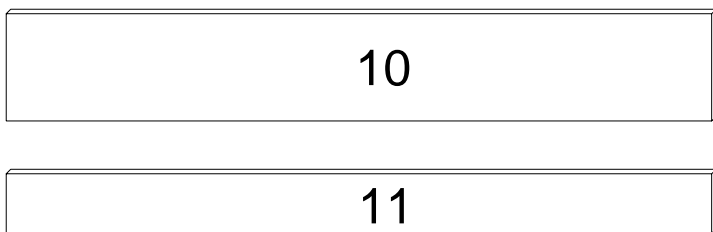
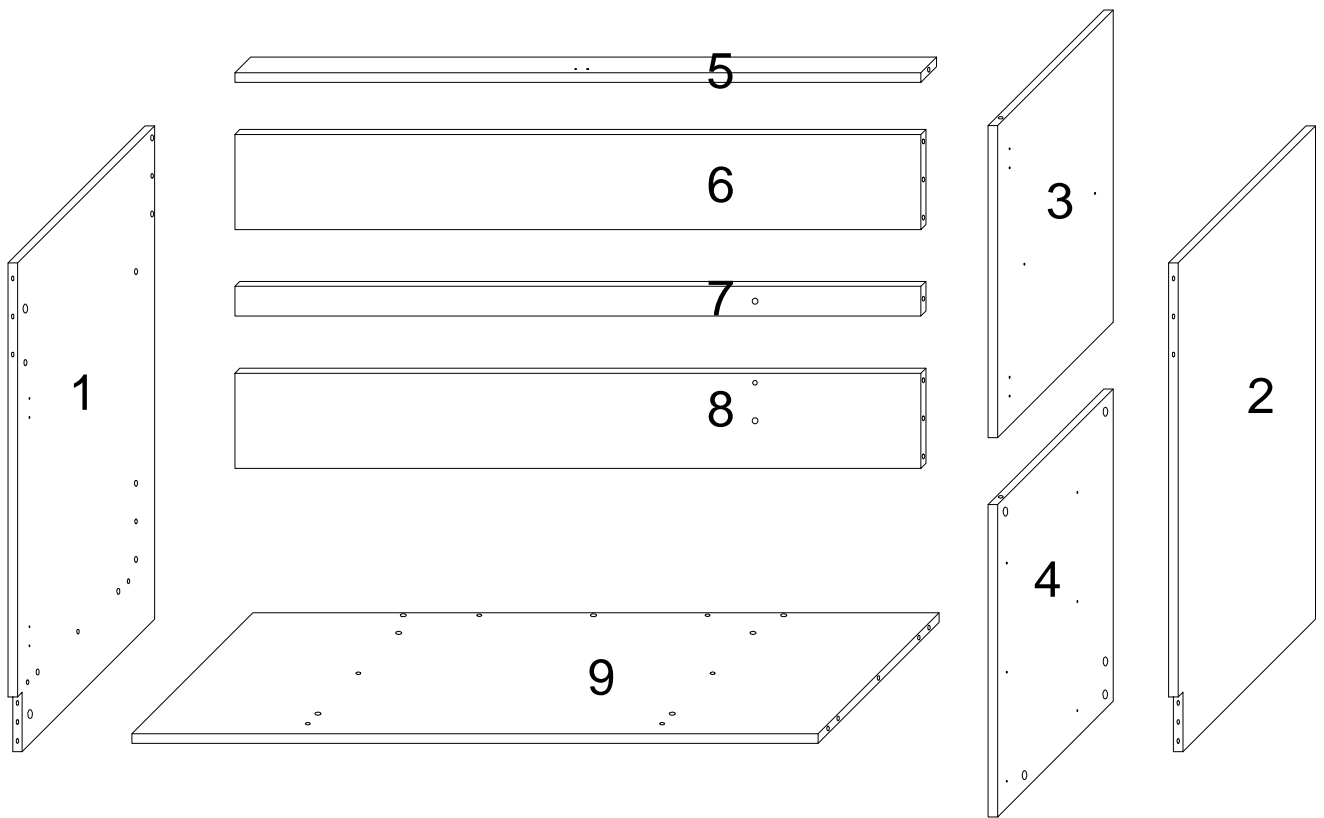
Dunedin Ph:03 4775885

Nelson Ph: 03 35488858

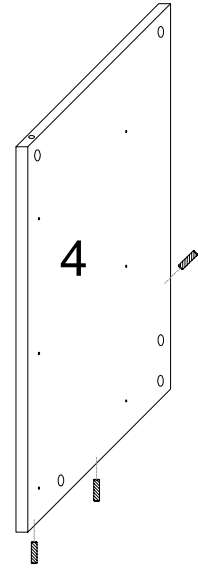
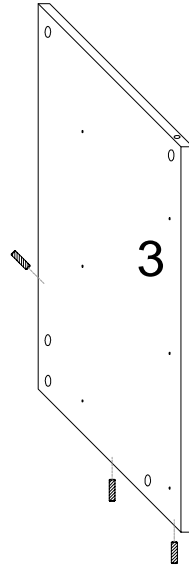
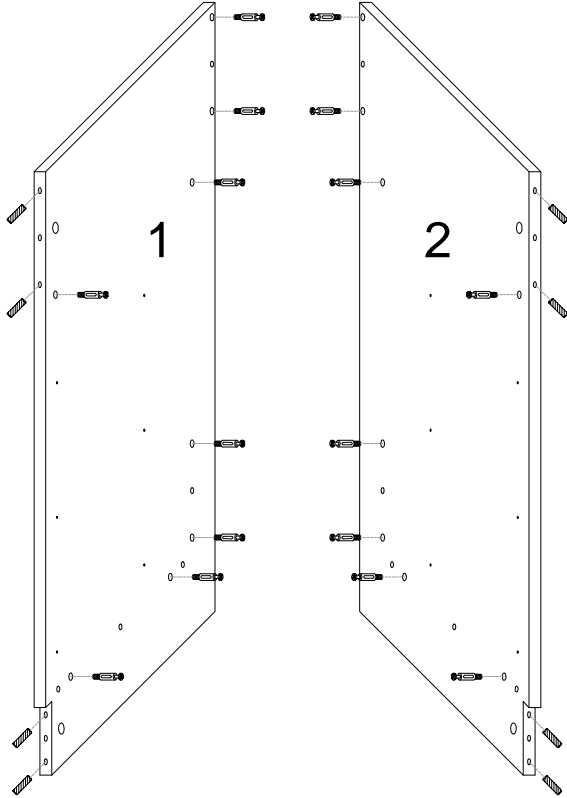
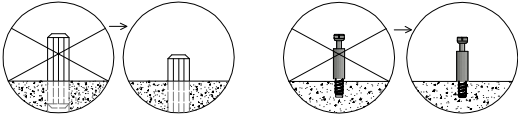
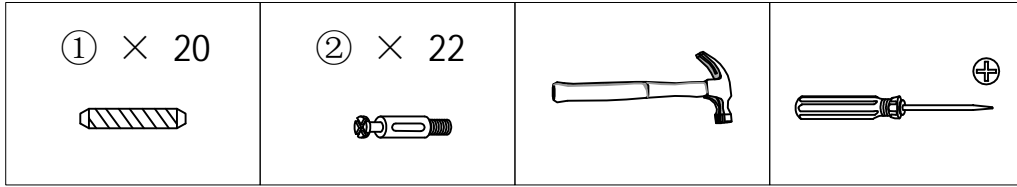
Online Order: [www.lennoxbathroom.nz](http://www.lennoxbathroom.nz)

NO.	Schema	PCS	Dimension(mm)
①		26	$\phi 8 \times 30\text{mm}$
②		81	$\phi 6 \times 32\text{mm}$
③		81	
④		55	
⑤		4	
⑥		72	$M4 \times 14\text{mm}$
⑦		6	
⑧		8	$M4 \times 12\text{mm}$
⑨		2	
⑩		8	
⑪		16	$M4 \times 18\text{mm}$
⑫		12	$M4 \times 25\text{mm}$
⑬		4	
⑭		4	
⑮		1	

NO.	Schema	PCS	Dimension(mm)
1		1	830×435×16
2		1	830×435×16
3		1	525×367×16
4		1	525×367×16
5		1	1154×50×16
6		1	1154×160×16
7		1	1154×50×16
8		1	1154×160×16
9		1	1154×384×16
10		1	1187×180×15
11		1	1187×100×15
12		1	548×295×15
13		1	548×295×15
14		6	350×100×16
15		6	350×100×16
16		6	229×100×16
17		6	229×100×16
18		6	241×330×2.7
19		3	295×181×15
20		3	295×181×15
20		1	580×360×16



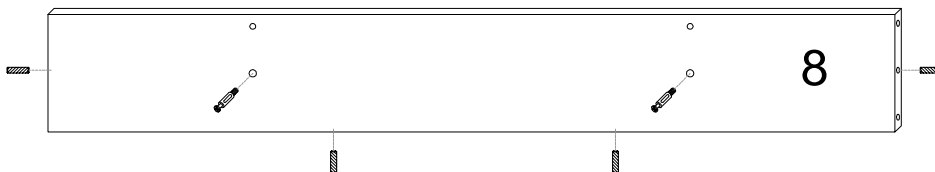
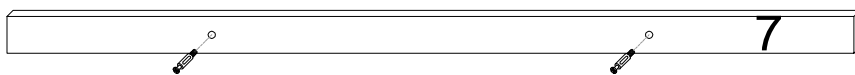
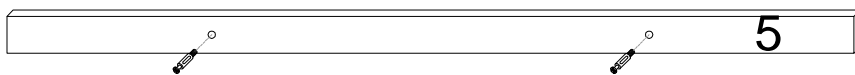
# 1



$\textcircled{1} \times 8$

$\textcircled{2} \times 16$

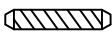
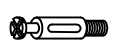
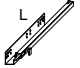
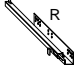
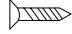
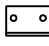


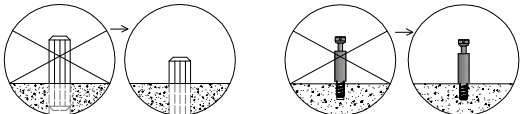
$\textcircled{1} \times 6$

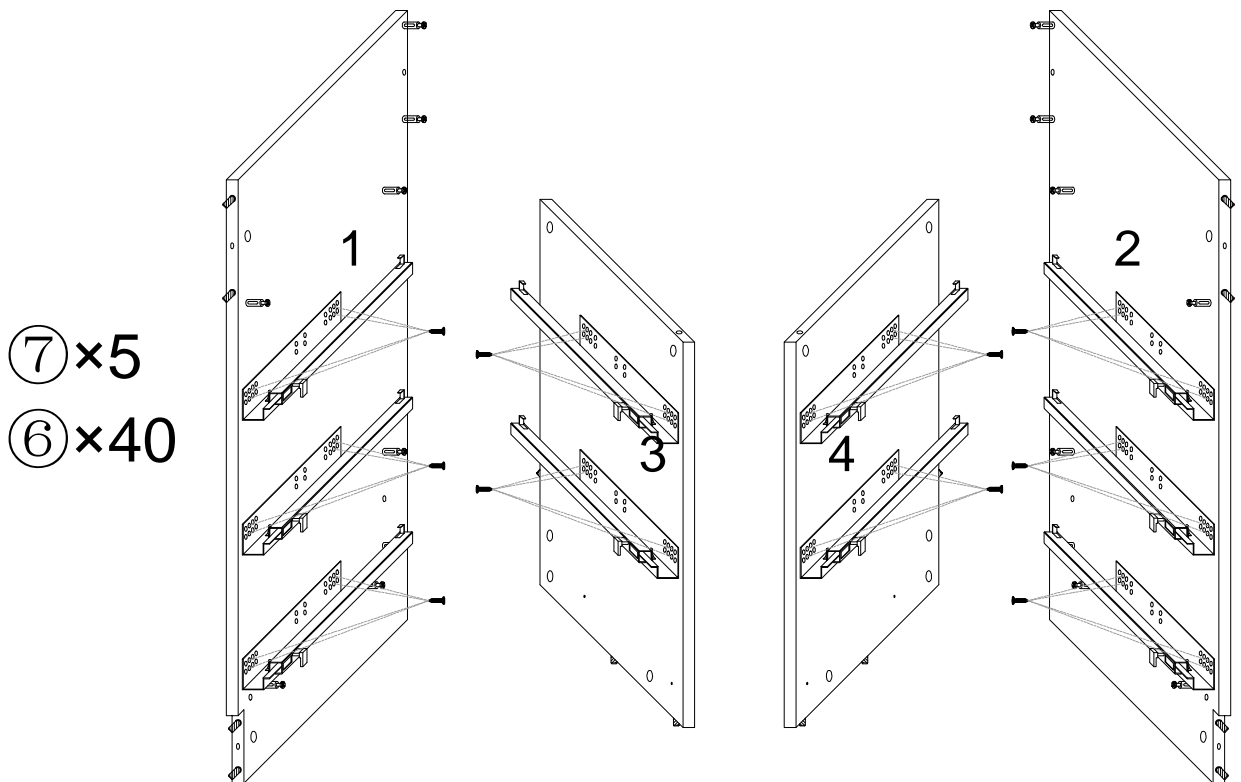
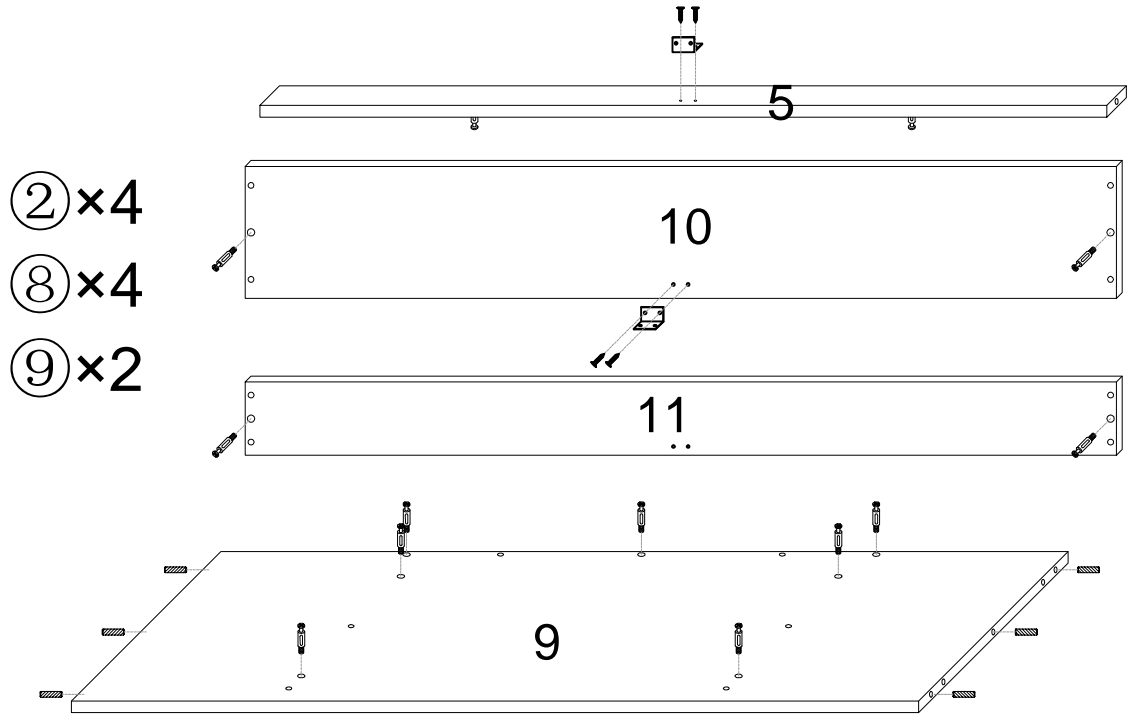


$\textcircled{1} \times 6$

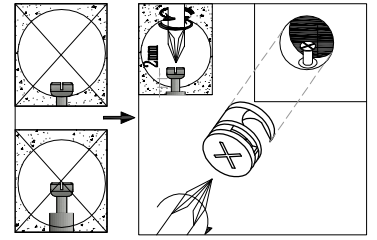
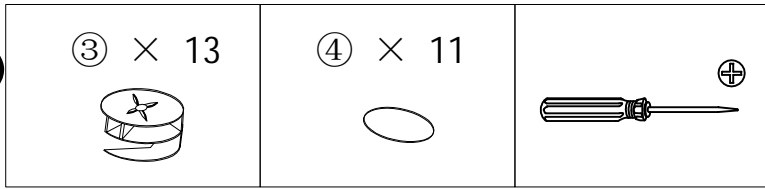
$\textcircled{2} \times 6$

# 2

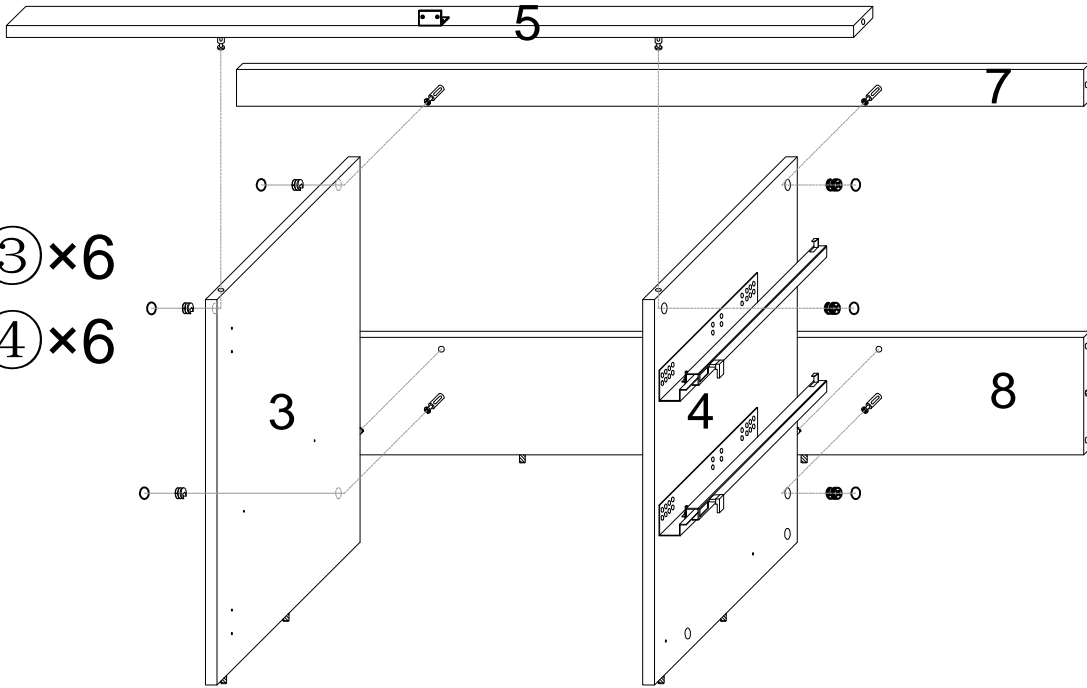
① × 6 	② × 11 	⑦ × 5  	⑥ × 40  M4 × 14	⑨ × 2 
⑧ × 4  M4 × 12	 ⊕			



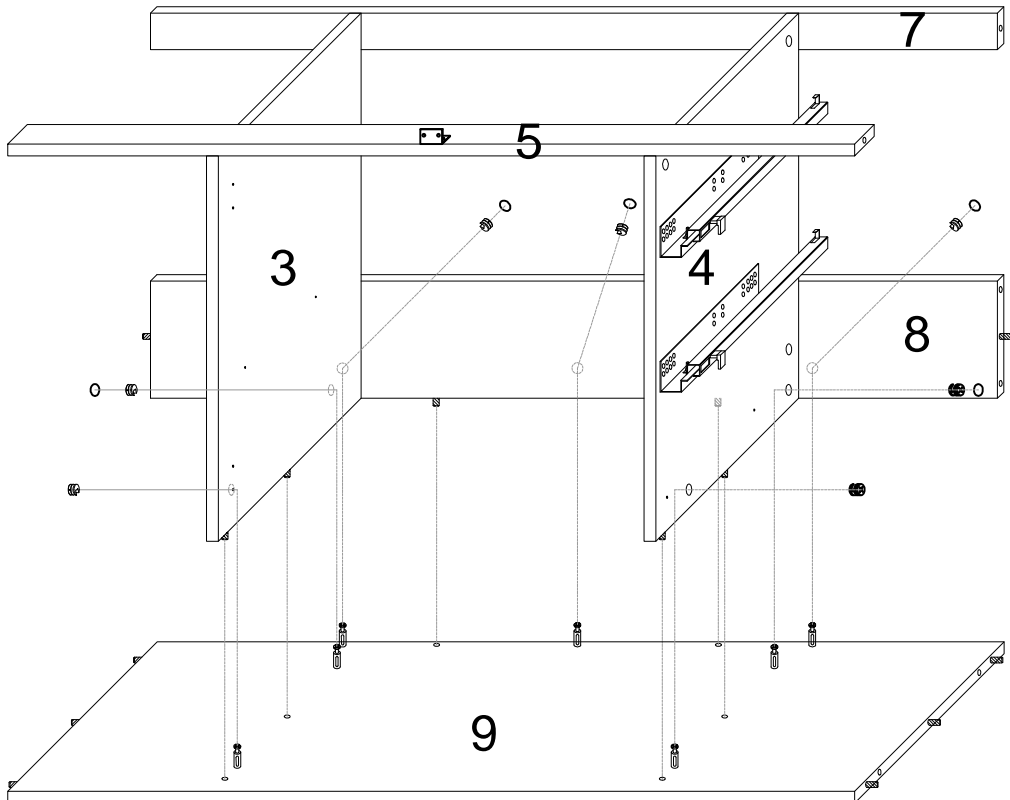
3





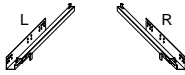
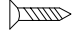

$\textcircled{3} \times 6$   
 $\textcircled{4} \times 6$

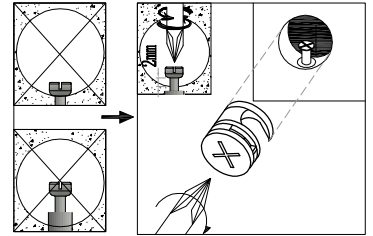
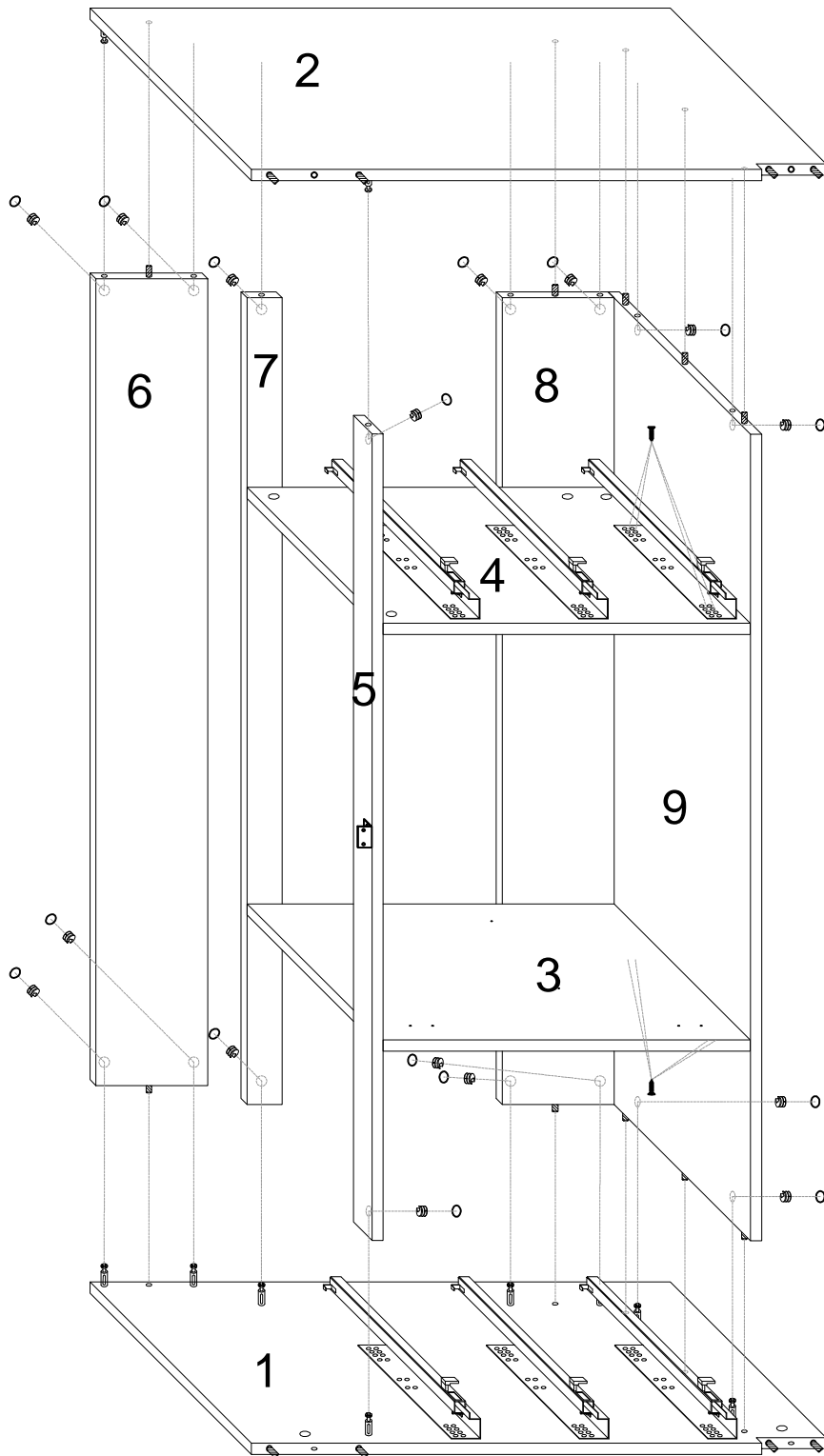


$\textcircled{3} \times 7$   
 $\textcircled{4} \times 5$



# 4



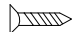

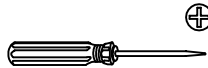
$\textcircled{3} \times 16$ 	$\textcircled{4} \times 16$ 	$\textcircled{7} \times 1$ 	$\textcircled{6} \times 8$  M4 × 14	
------------------------------------------------------------------------------------------------------------------	------------------------------------------------------------------------------------------------------------------	-----------------------------------------------------------------------------------------------------------------	------------------------------------------------------------------------------------------------------------------------------	-------------------------------------------------------------------------------------

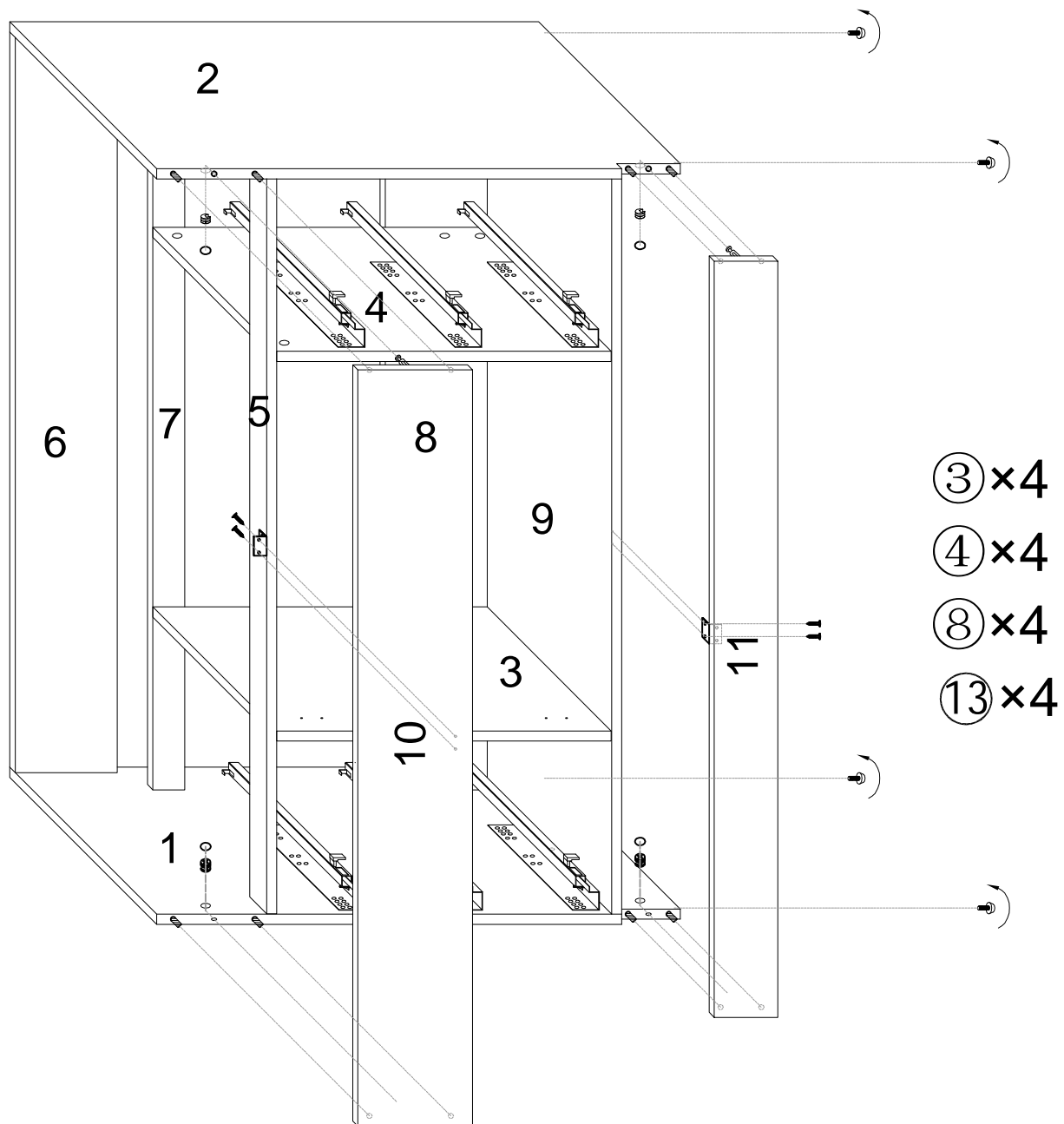


- $\textcircled{3} \times 16$
- $\textcircled{4} \times 16$
- $\textcircled{7} \times 1$
- $\textcircled{6} \times 8$

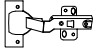
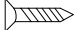





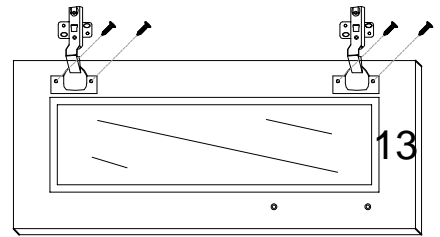
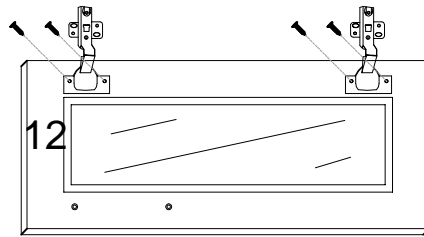
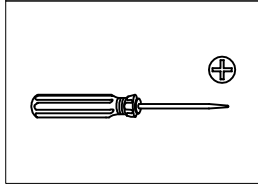
# 5

$\textcircled{3} \times 4$ 	$\textcircled{4} \times 4$ 	$\textcircled{8} \times 4$  M4 × 12	$\textcircled{13} \times 4$ 	
-----------------------------------------------------------------------------------------------------------------	-----------------------------------------------------------------------------------------------------------------	----------------------------------------------------------------------------------------------------------------------------	--------------------------------------------------------------------------------------------------------------------	-------------------------------------------------------------------------------------



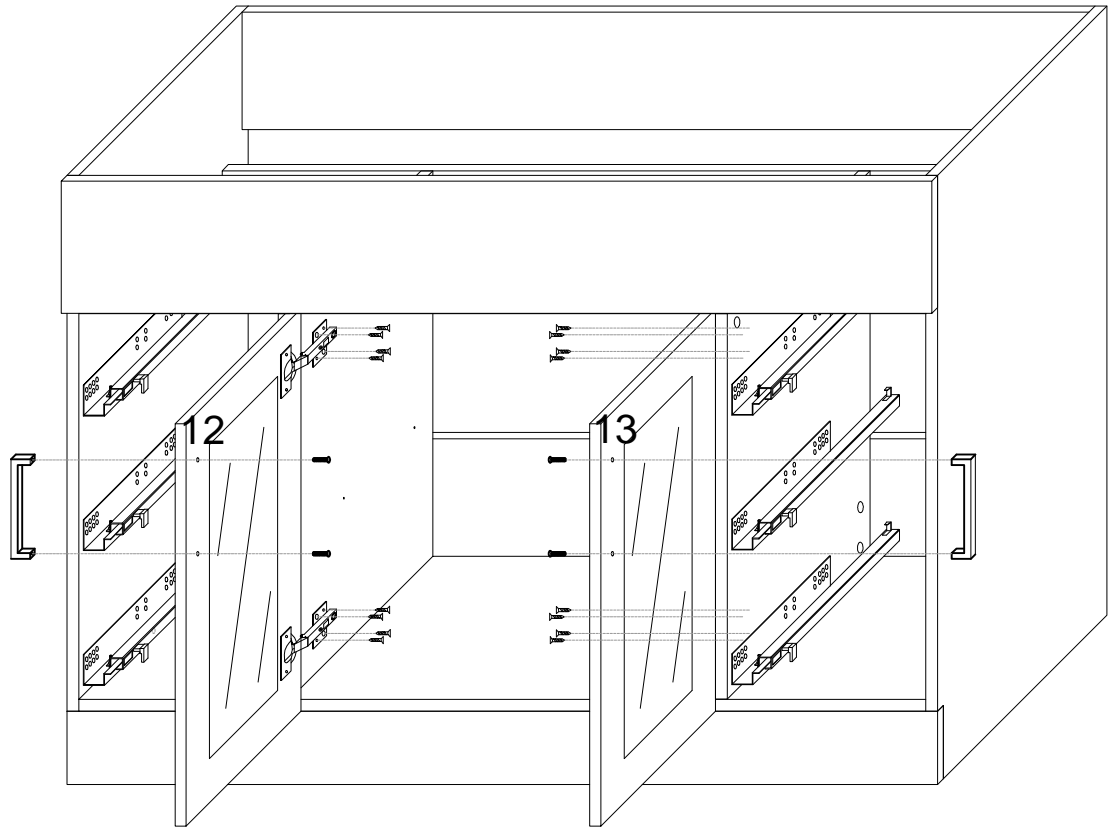
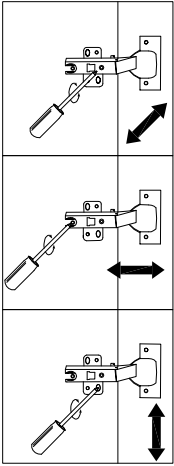
# 6

⑤ × 4 	⑥ × 24 M4 × 14 	⑩ × 2 	⑪ × 4 	⑭ × 4 
--------------------------------------------------------------------------------------------	--------------------------------------------------------------------------------------------------------	--------------------------------------------------------------------------------------------	----------------------------------------------------------------------------------------------	----------------------------------------------------------------------------------------------



⑤ × 4

⑥ × 8

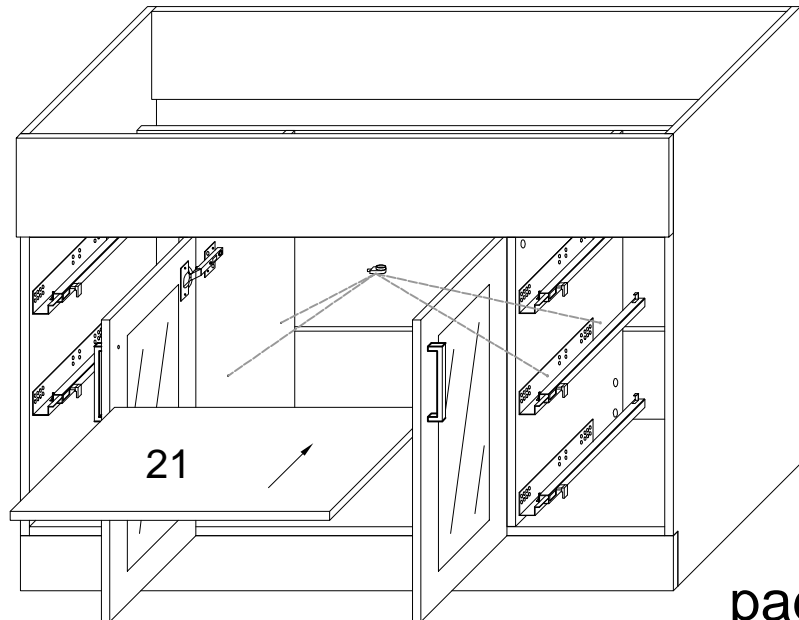


⑥ × 16






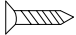

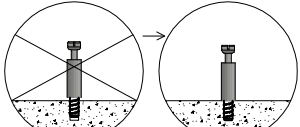
⑩ × 2

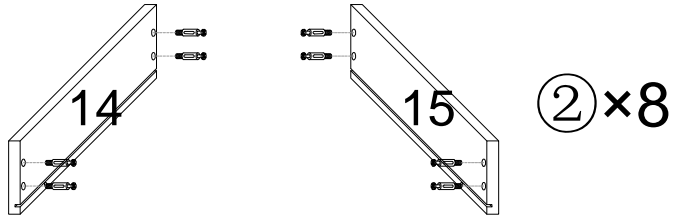
⑪ × 4

⑭ × 4

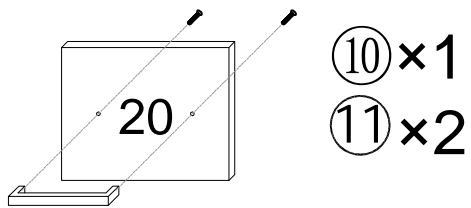
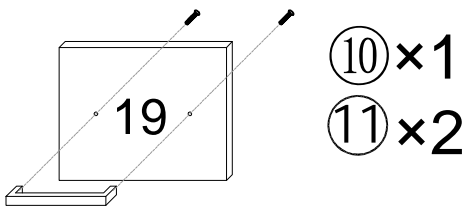
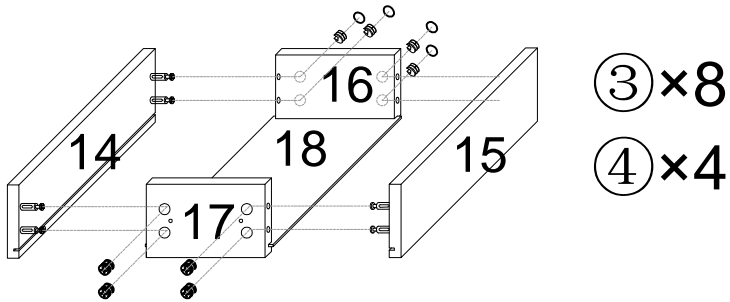


# 7

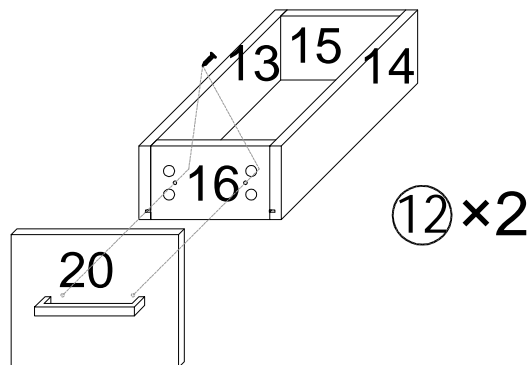
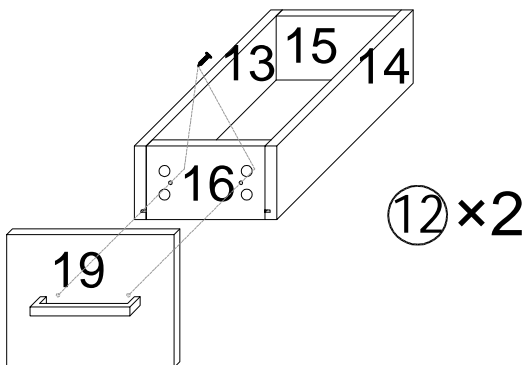
<p>② × 48</p> 	<p>③ × 48</p> 	<p>④ × 24</p> 	<p>⑩ × 6</p> 	<p>⑪ × 12</p> 
<p>⑫ × 12</p> <p>M4 × 25</p> 				



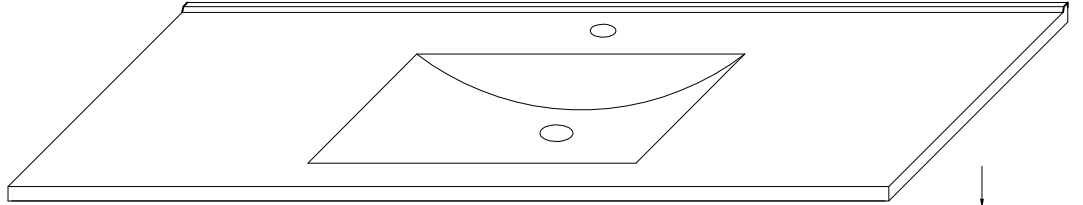
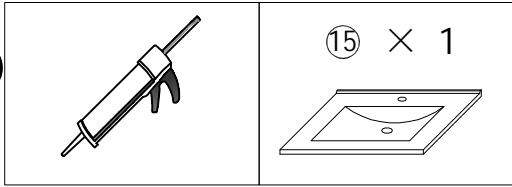
× 6



× 3



8



⑮ × 1

