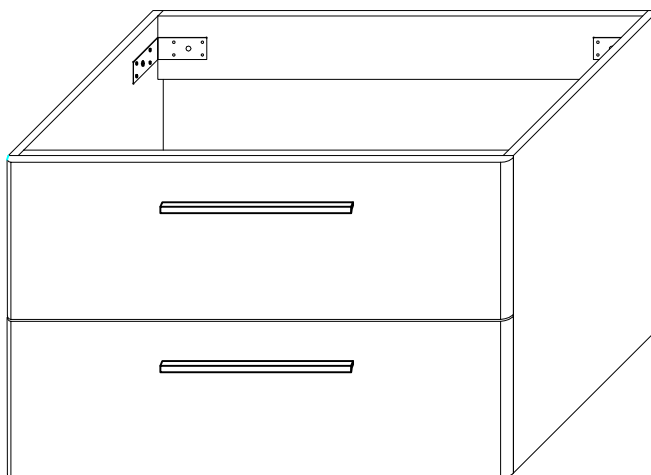


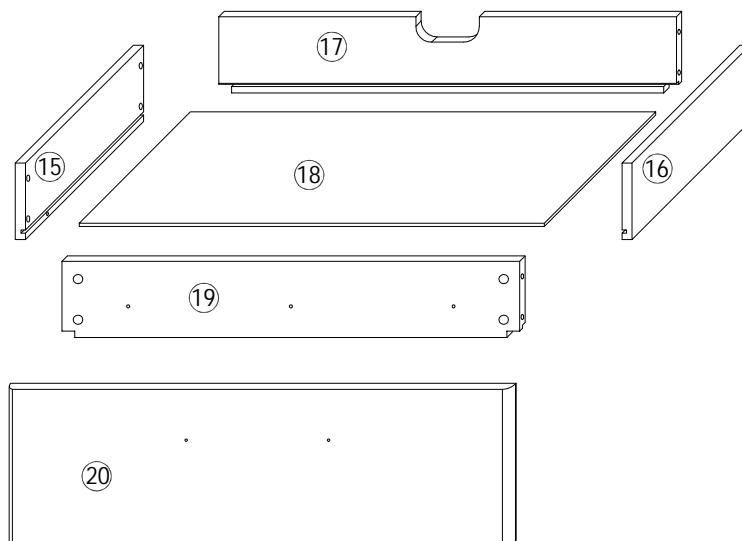
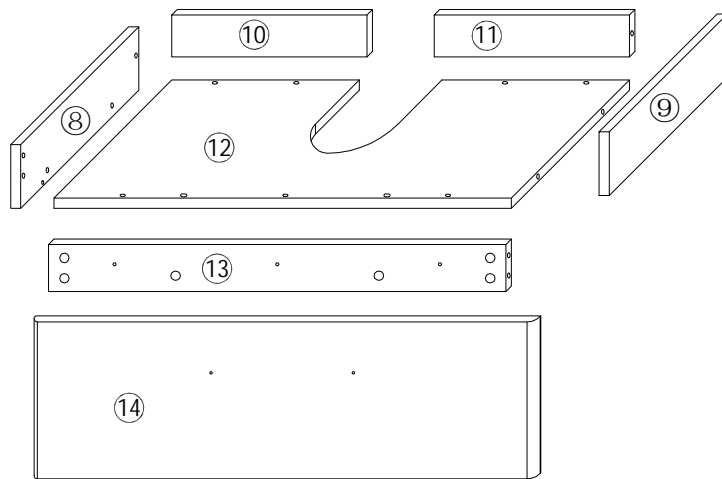
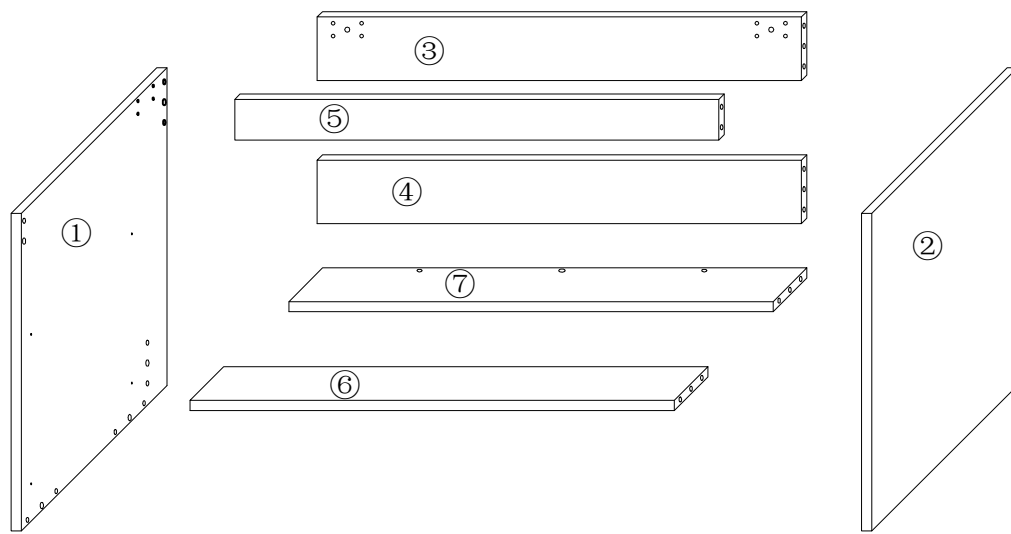
Model No:KEY-2278-90





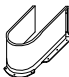


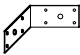

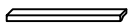

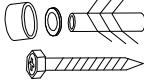


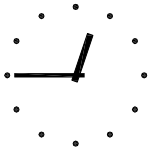



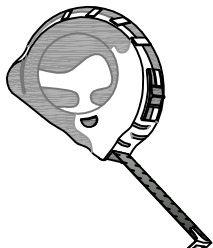
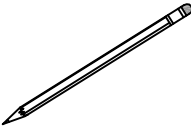
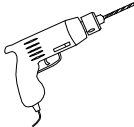
**THE LENNOX™
BATHROOM**

Ideas for life style

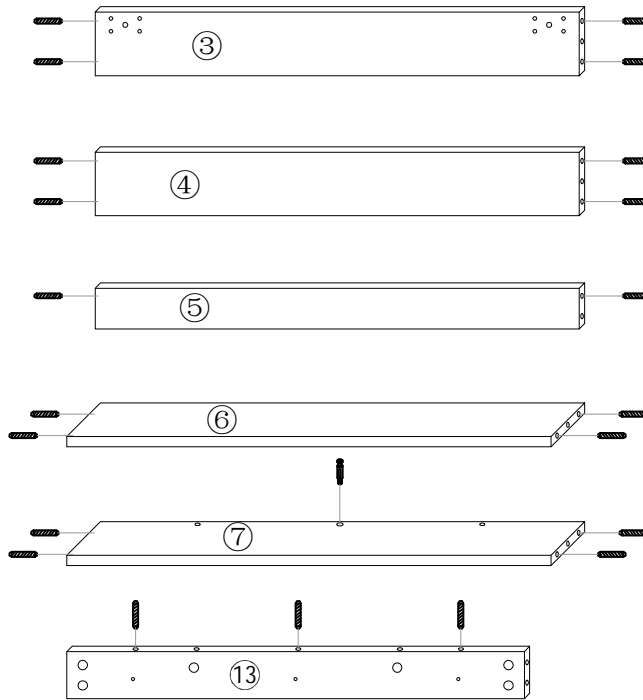
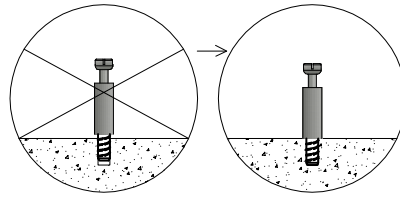
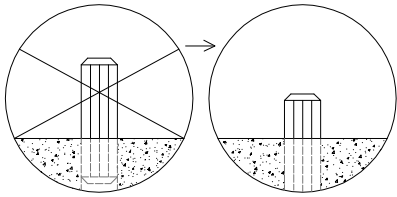
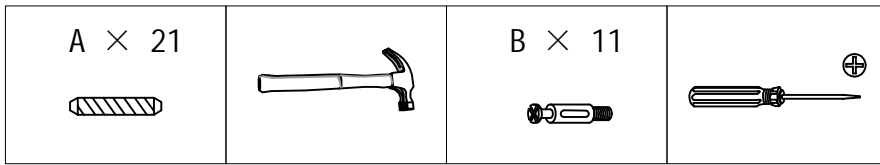
Auckland Ph:09 2710168 Hamilton Ph:07 8477722
Christchurch Ph:03 3488885 Dunedin Ph:03 4775885
branch Nelson Ph 03 35488858
Online Order: www.lennoxbathroom.nz



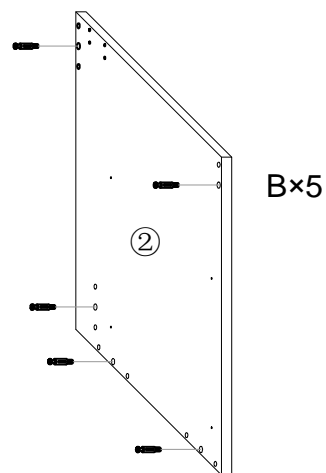
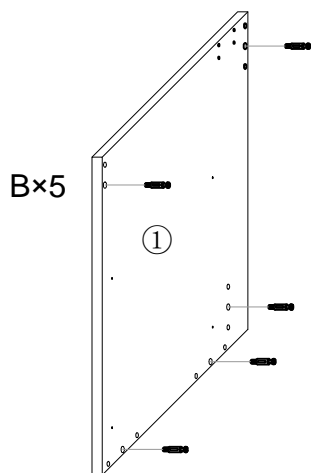
<p>A</p>  <p>ø8×30mm ×21</p>	<p>B</p>  <p>×35</p>	<p>C</p>  <p>×35</p>	<p>D</p>  <p>×23</p>	<p>E</p>  <p>×1</p>	<p>F&G</p>  <p>×2</p>
<p>H</p>  <p>M4×12mm ×43</p>	<p>I</p>  <p>×2</p>	<p>J</p>  <p>M4×22mm ×4</p>	<p>K</p>  <p>×2</p>	<p>L</p>  <p>M4×25mm ×6</p>	<p>M</p>  <p>M6×60mm ×2</p>

<p>45min</p> 			<p>×2</p> 
			






1

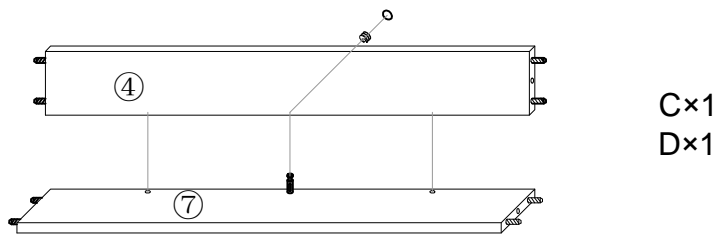
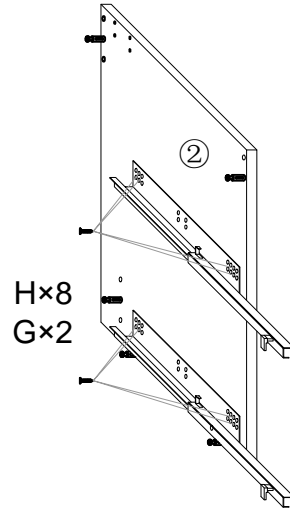
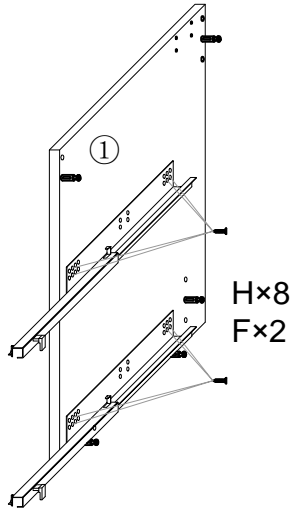


A×21
B×1

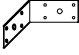






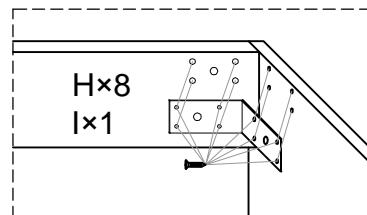
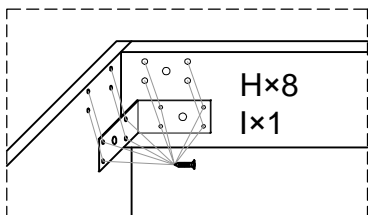
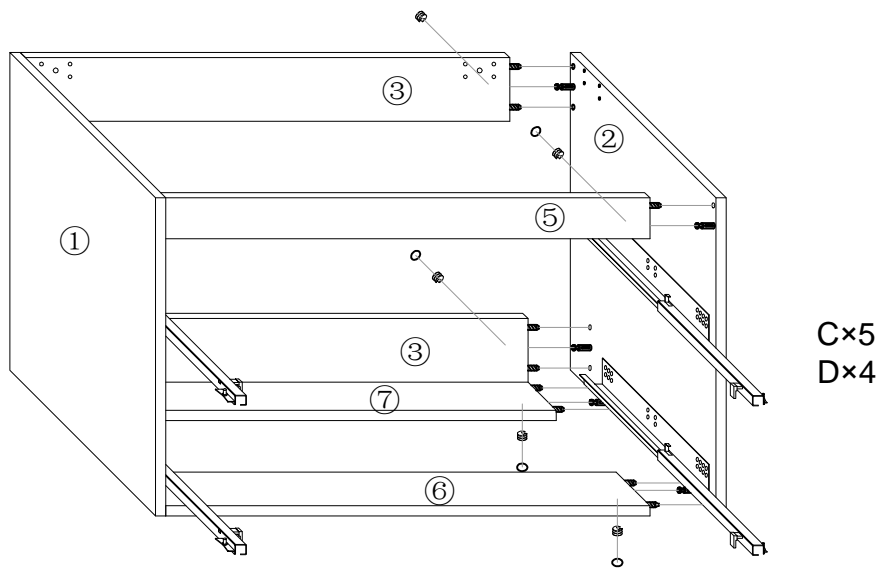
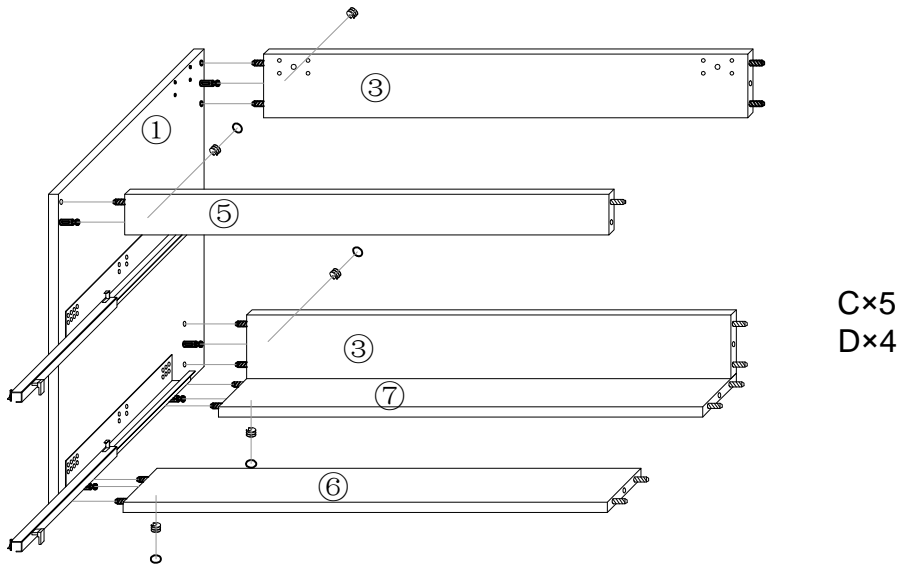
2

$H \times 16$  $M4 \times 12mm$	$F \& G \times 2$ 	$C \times 1$ 	$D \times 1$ 	 \oplus
--	--	---	--	--

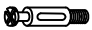




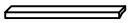

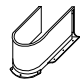



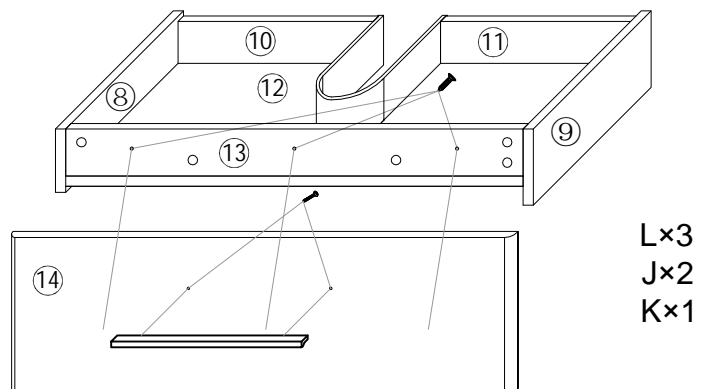
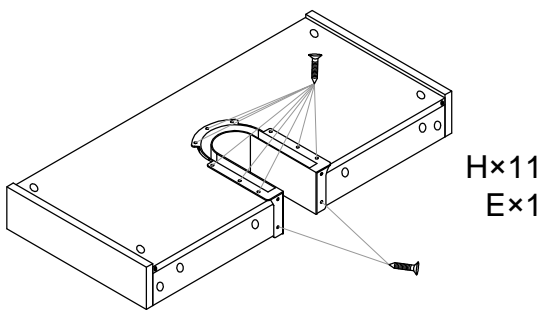
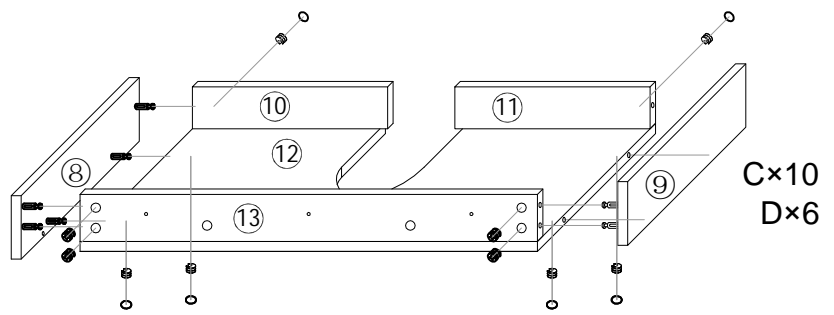
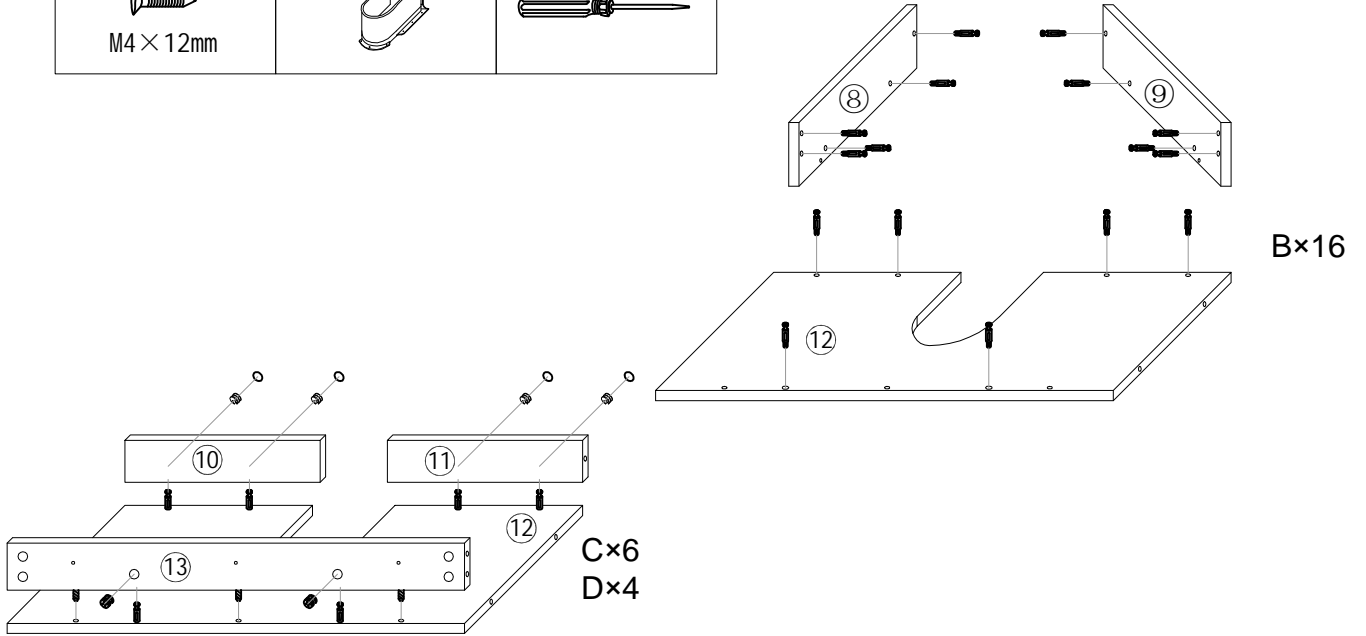
3

$I \times 2$ 	$H \times 16$  M4 × 12mm	$C \times 10$ 	$D \times 8$ 	 ⊕
---	---	--	--	---






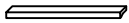
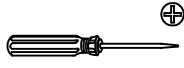


4

$B \times 16$ 	$C \times 16$ 	$D \times 10$ 	$L \times 3$  $M4 \times 25mm$	$J \times 2$  $M4 \times 22mm$	$K \times 1$ 
$H \times 11$  $M4 \times 12mm$	$E \times 1$ 				

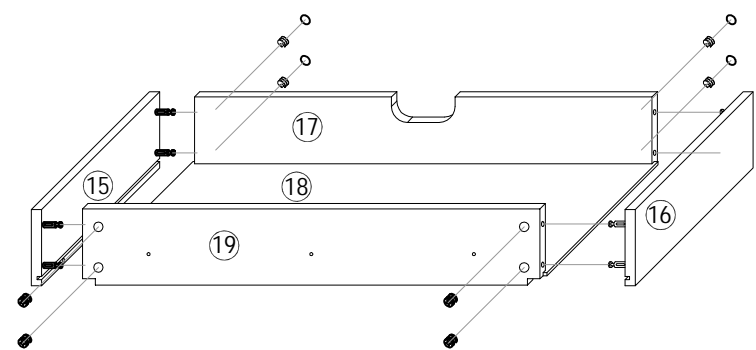


5

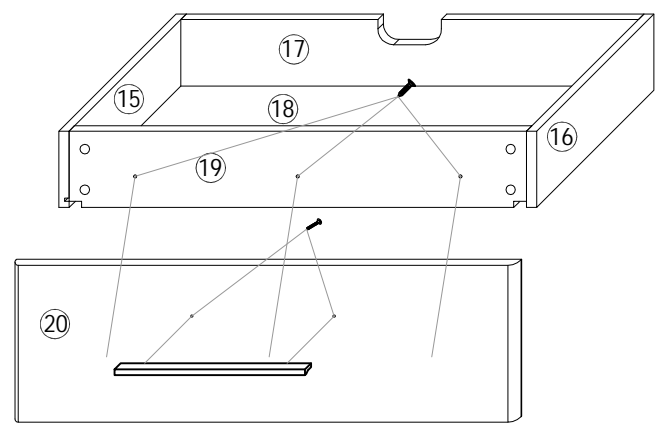
$B \times 8$ 	$C \times 8$ 	$D \times 4$ 	$L \times 3$  M4 × 25mm	$J \times 2$  M4 × 22mm	$K \times 1$ 
					



B×8

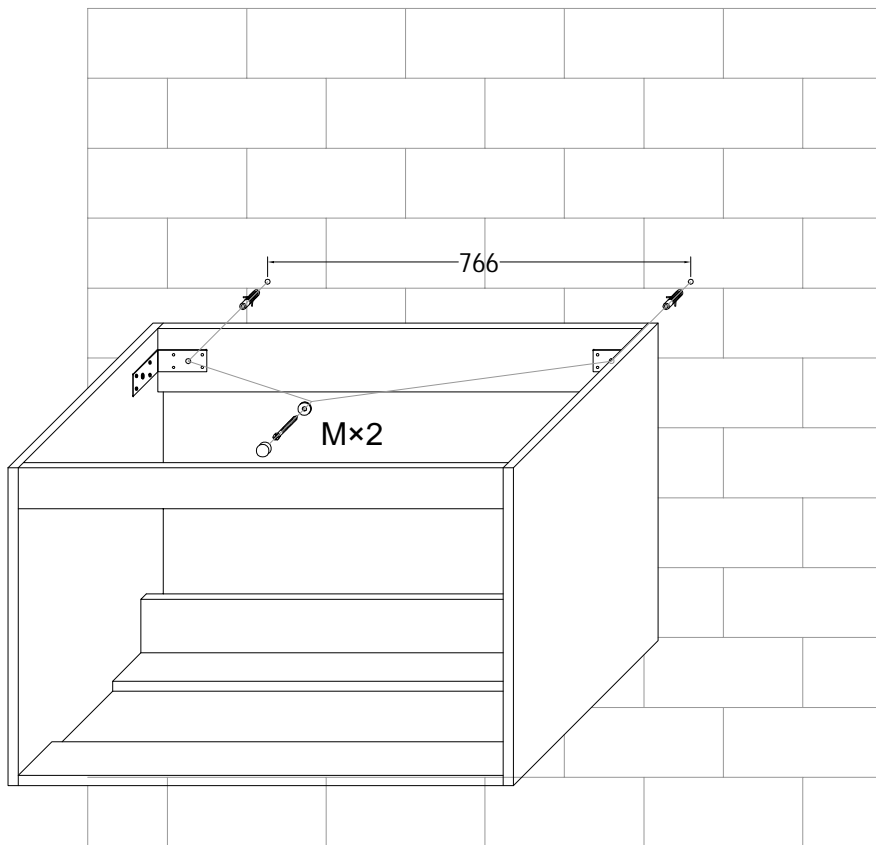
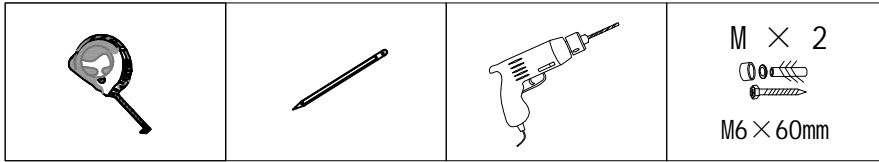


C×8
D×4

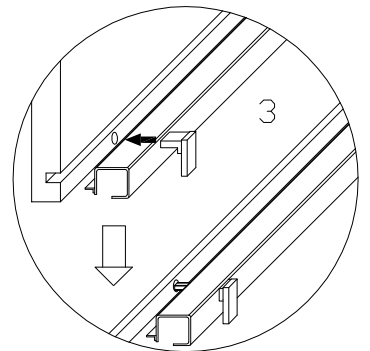
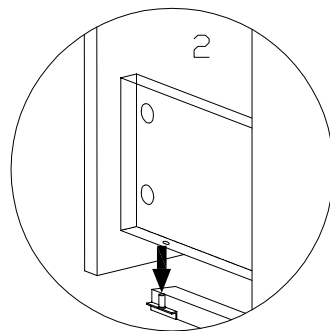
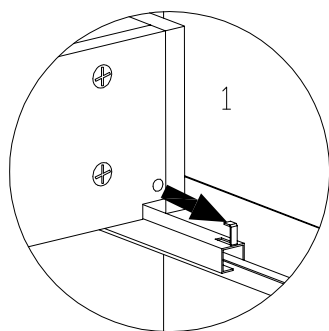
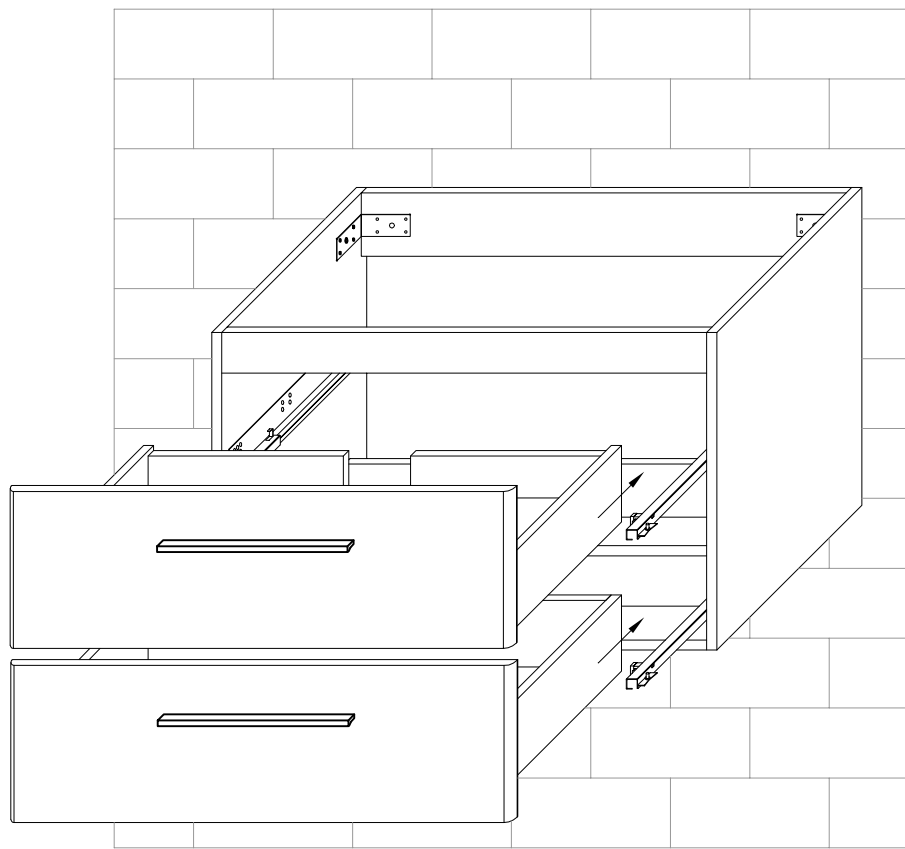


L×3
J×2
K×1

6



7



8

