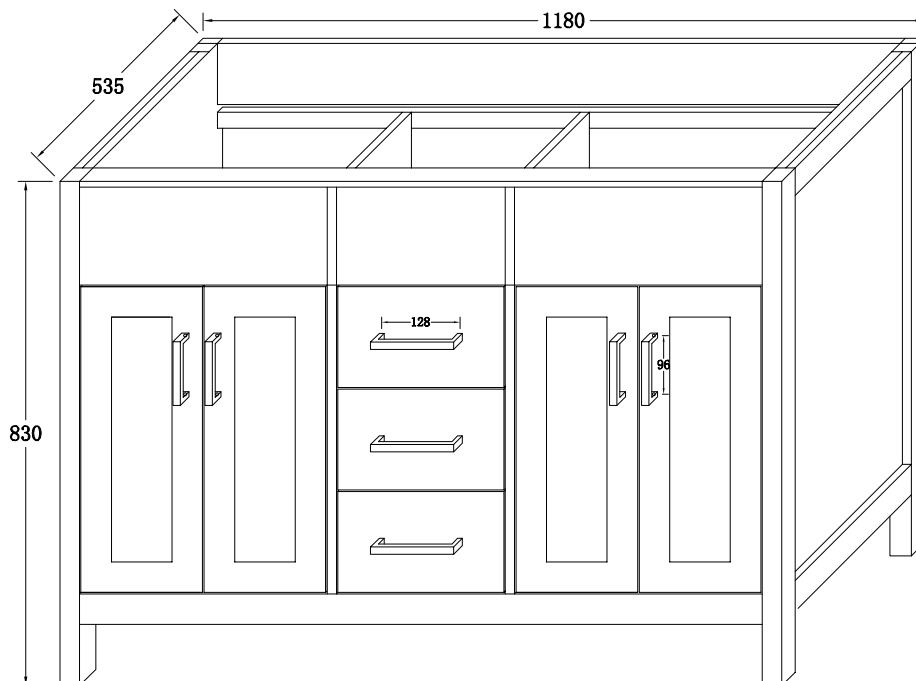


Model No.: V1200



**THE LENNOX™
BATHROOM**

Ideas for life style

Auckland Ph:09 2710168

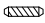



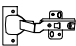
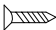
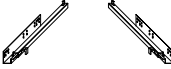





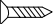
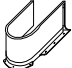
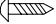
Hamilton Ph:07 8477722

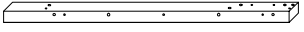
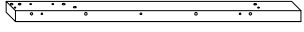
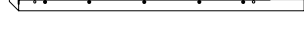
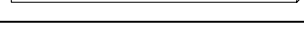


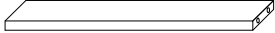

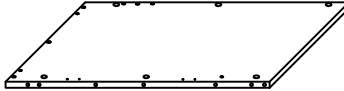
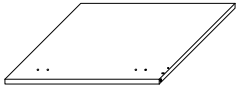

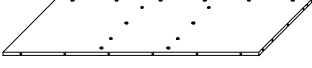

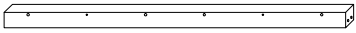
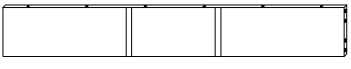
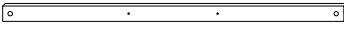
Christchurch Ph:03 3488885

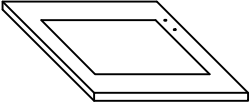
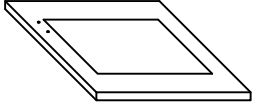
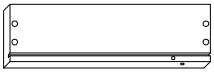

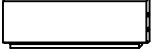
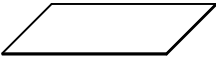
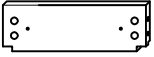
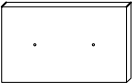
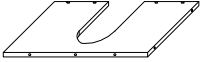
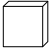

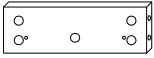
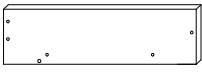
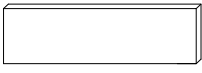
Dunedin Ph:03 4775885

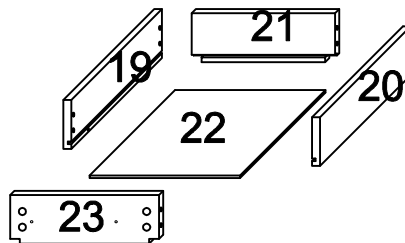
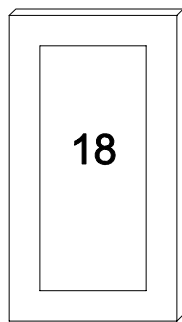
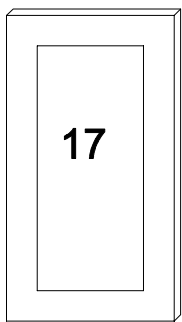
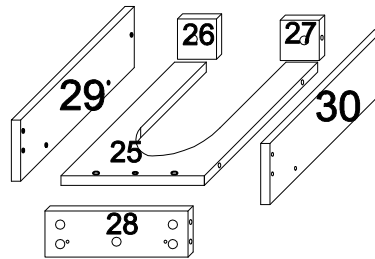
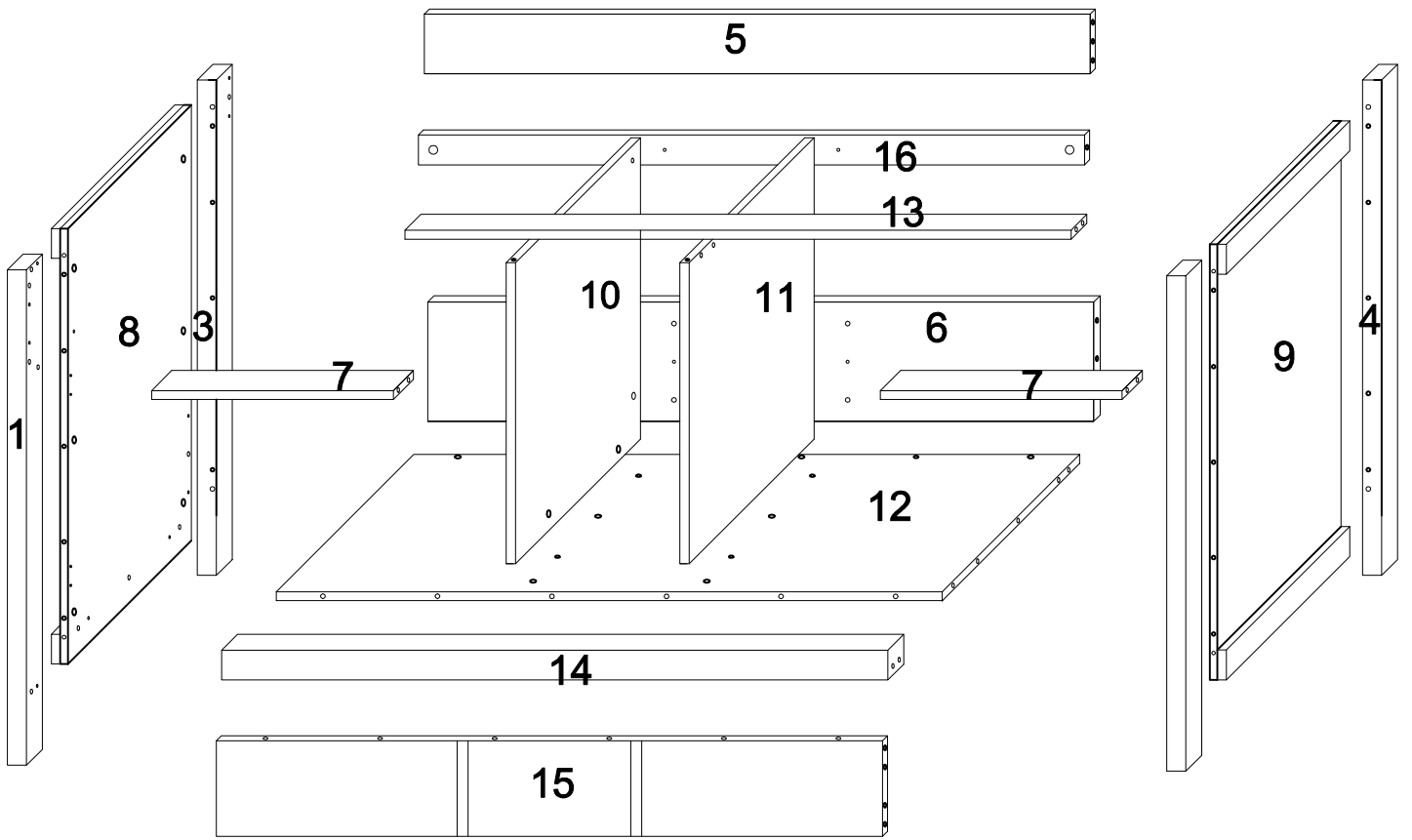
Nelson Ph: 03 35488858

Online Order: www.lennoxathroom.nz

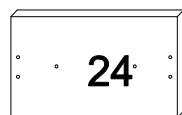
NO.	Schema	PCS	Dimension(mm)
①		64	$\phi 8 \times 30\text{mm}$
②		79	$\phi 6 \times 32\text{mm}$
③		79	
④		36	
⑤		8	
⑥		72	$M4 \times 14\text{mm}$
⑦		3	
⑧		4	
⑨		3	
⑩		6	$M4 \times 22\text{mm}$
⑪		8	$M4 \times 25\text{mm}$
⑫		4	
⑬		6	$M4 \times 25\text{mm}$
⑭		1	
⑮		11	$M4 \times 14\text{mm}$

NO.	Schema	PCS	Dimension(mm)
1		1	830 × 50 × 32
2		1	830 × 50 × 32
3		1	830 × 50 × 32
4		1	830 × 50 × 32
5		1	1116 × 100 × 15
6		1	1116 × 200 × 15
7		2	405 × 64 × 15
8		1	730 × 435 × 15
9		1	730 × 435 × 15
10		1	505 × 468 × 15
11		1	505 × 468 × 15
12		1	1116 × 434 × 15
13		1	1116 × 50 × 15
14		1	1116 × 50 × 50
15		1	1116 × 160 × 18
16		1	1116 × 50 × 15

NO.	Schema	PCS	Dimension(mm)
17		2	500 × 199 × 20
18		2	500 × 199 × 20
19		2	350 × 100 × 15
20		2	350 × 100 × 15
21		2	234 × 100 × 15
22		2	246 × 330 × 4.7
23		2	234 × 100 × 15
24		3	272 × 165 × 18
25		1	234 × 350 × 15
26		1	64 × 66 × 16
27		1	64 × 66 × 16
28		1	234 × 74 × 15
29		1	350 × 100 × 15
30		1	350 × 100 × 15

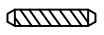





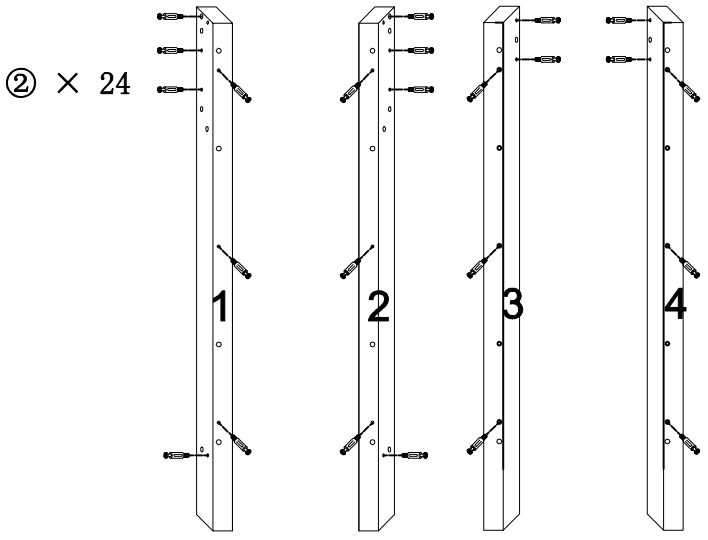
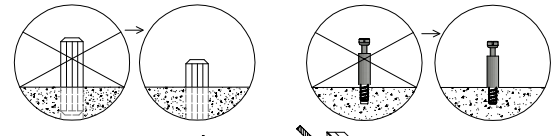
× 2



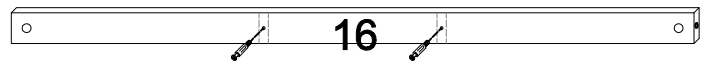
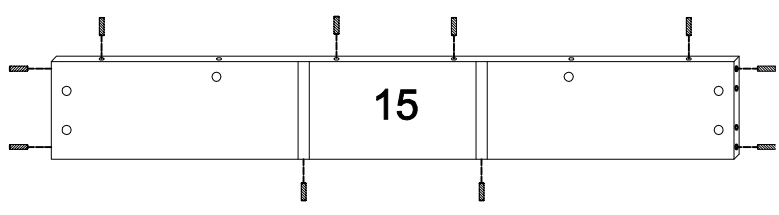
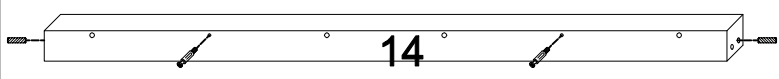
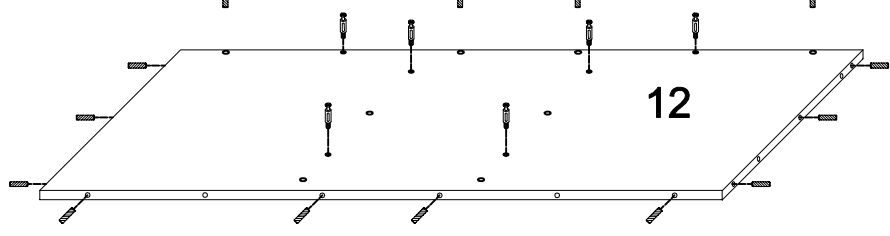
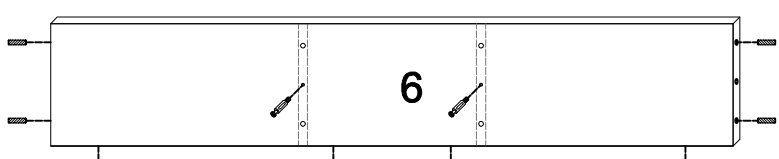
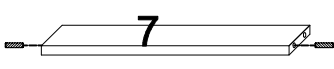
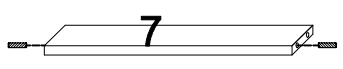
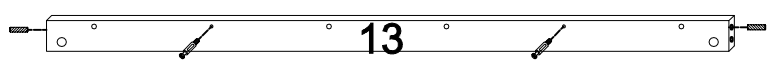
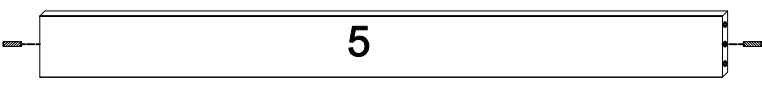
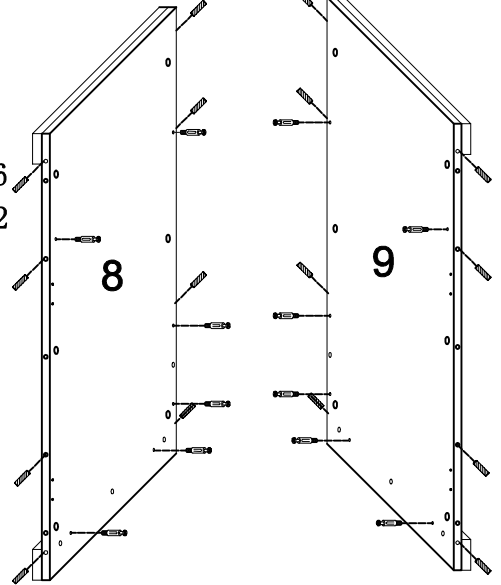
× 3

1

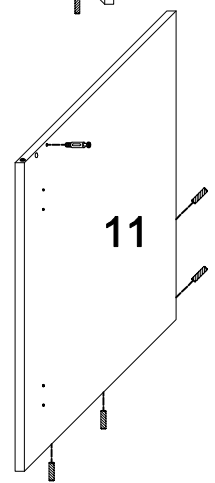
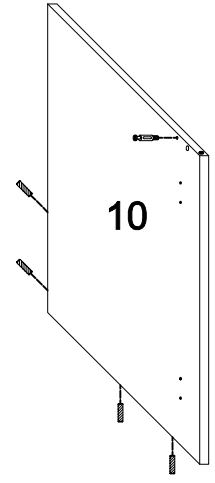
$\textcircled{1} \times 62$ 	$\textcircled{2} \times 52$ 		
--	--	---	---



$\textcircled{1} \times 16$
 $\textcircled{2} \times 12$



$\textcircled{1} \times 46$
 $\textcircled{2} \times 16$

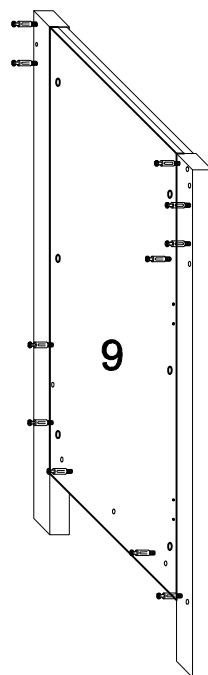
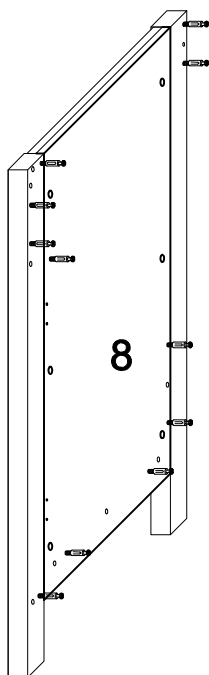
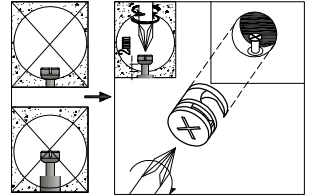
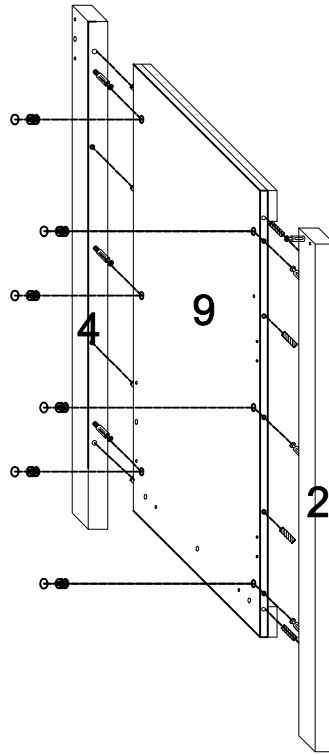
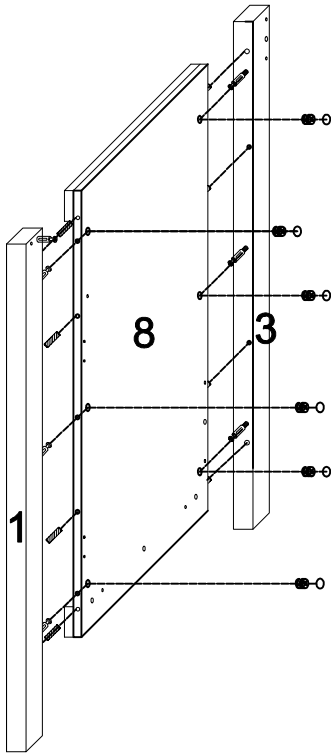
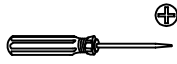


2

③ × 12



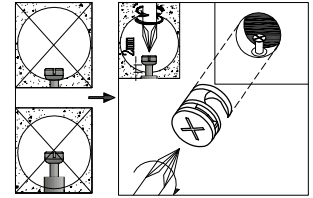
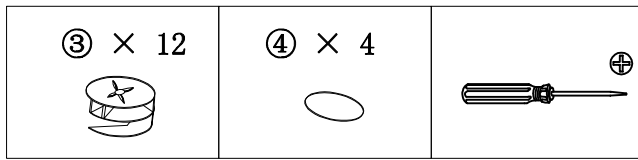
④ × 12



③×12

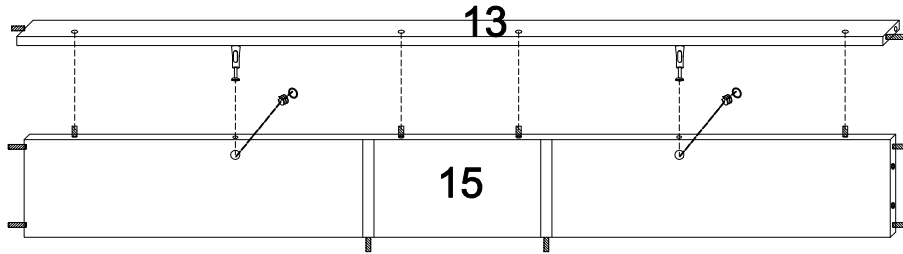
④×12

3

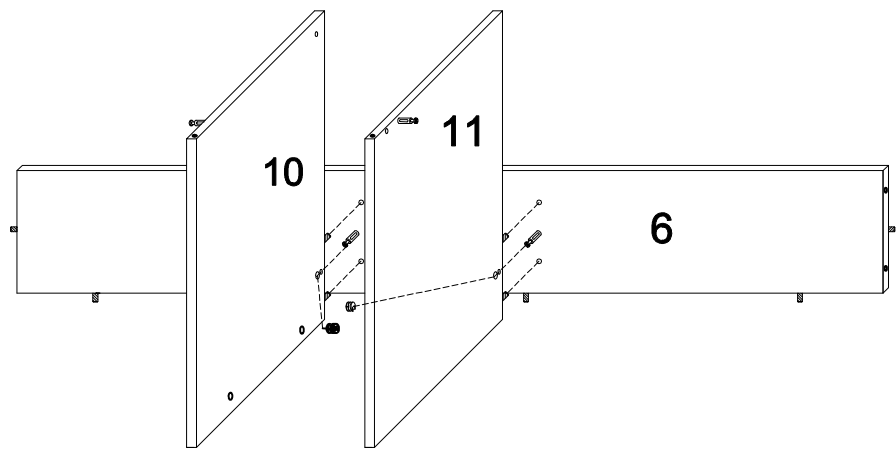


$\textcircled{3} \times 2$

$\textcircled{4} \times 2$

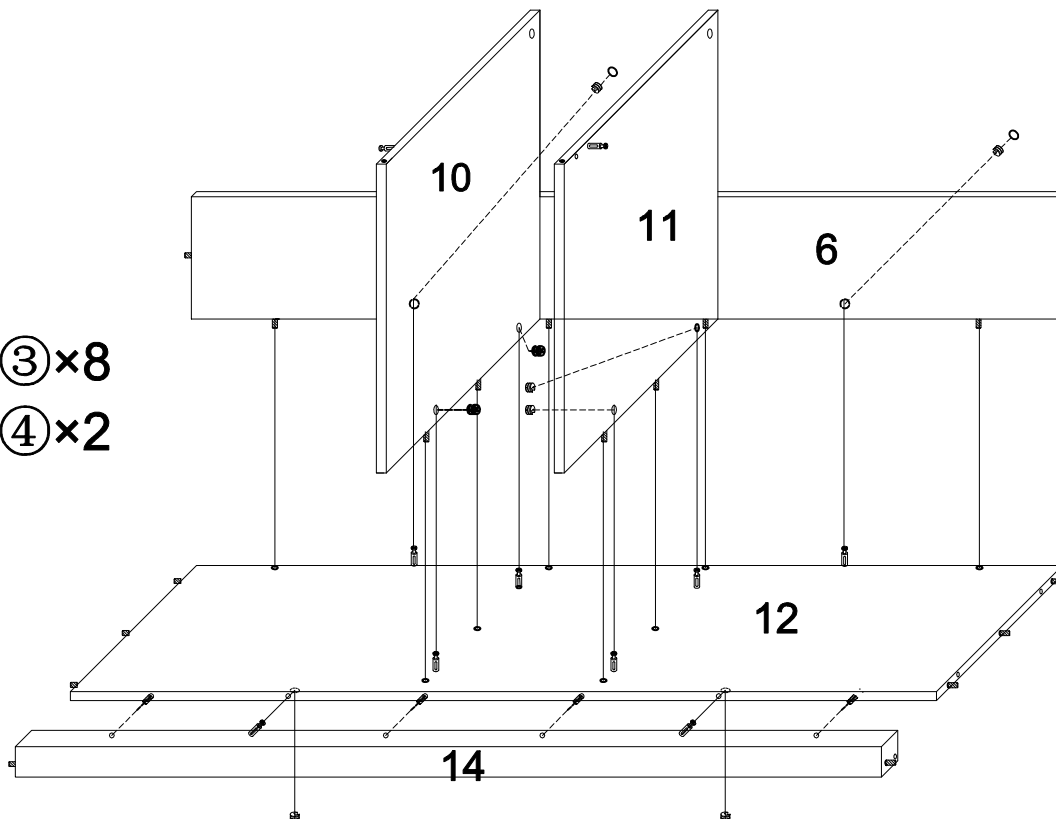


$\textcircled{3} \times 2$

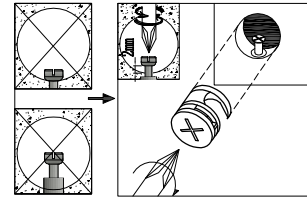
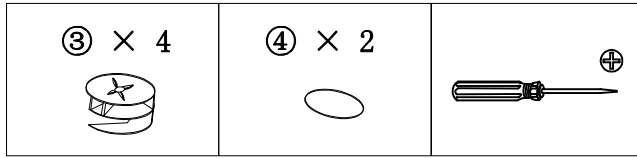


$\textcircled{3} \times 8$

$\textcircled{4} \times 2$

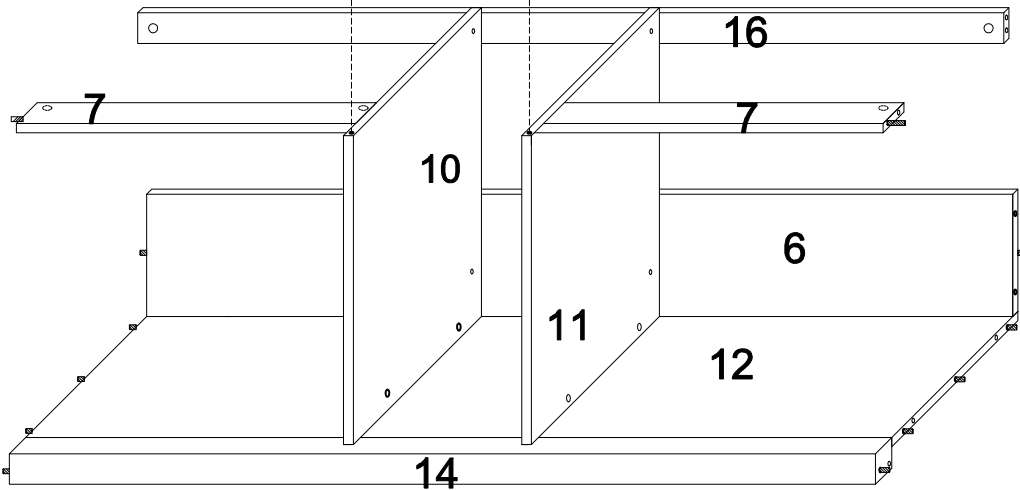
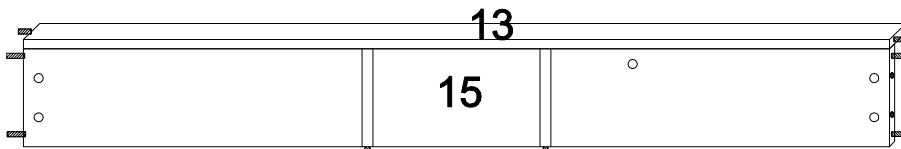
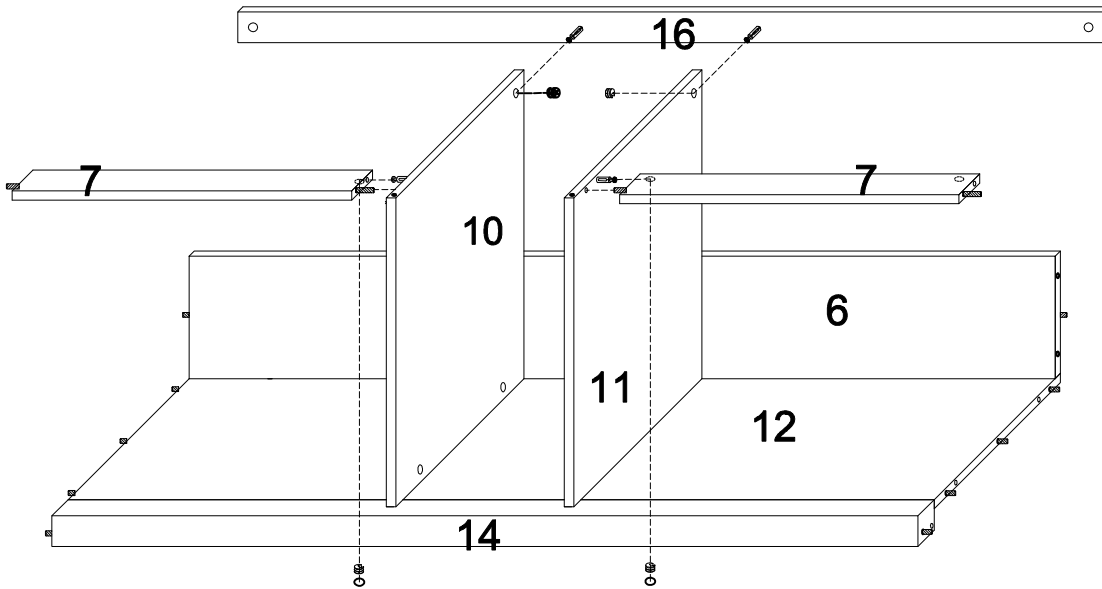


4



$\textcircled{3} \times 4$

$\textcircled{4} \times 2$

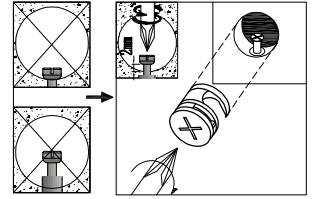
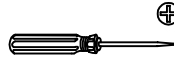


5

③ × 24

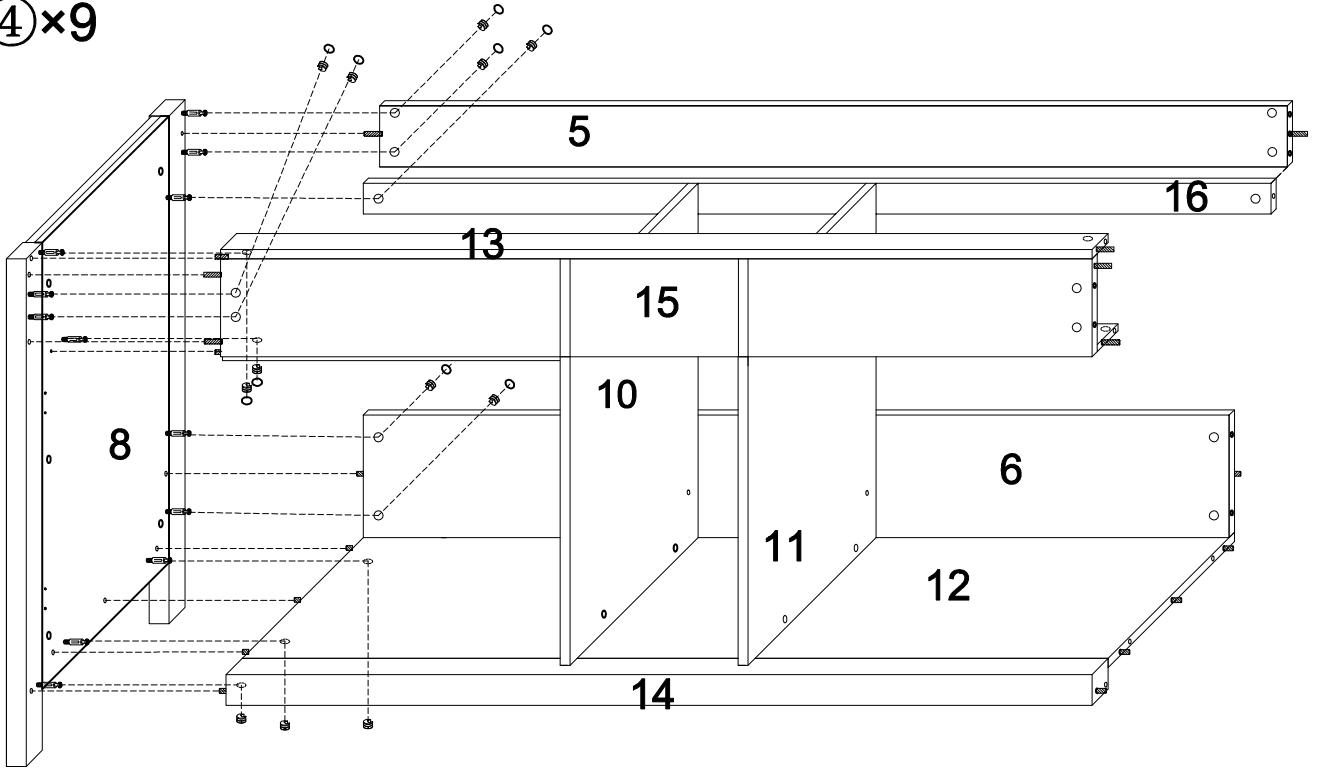


④ × 18



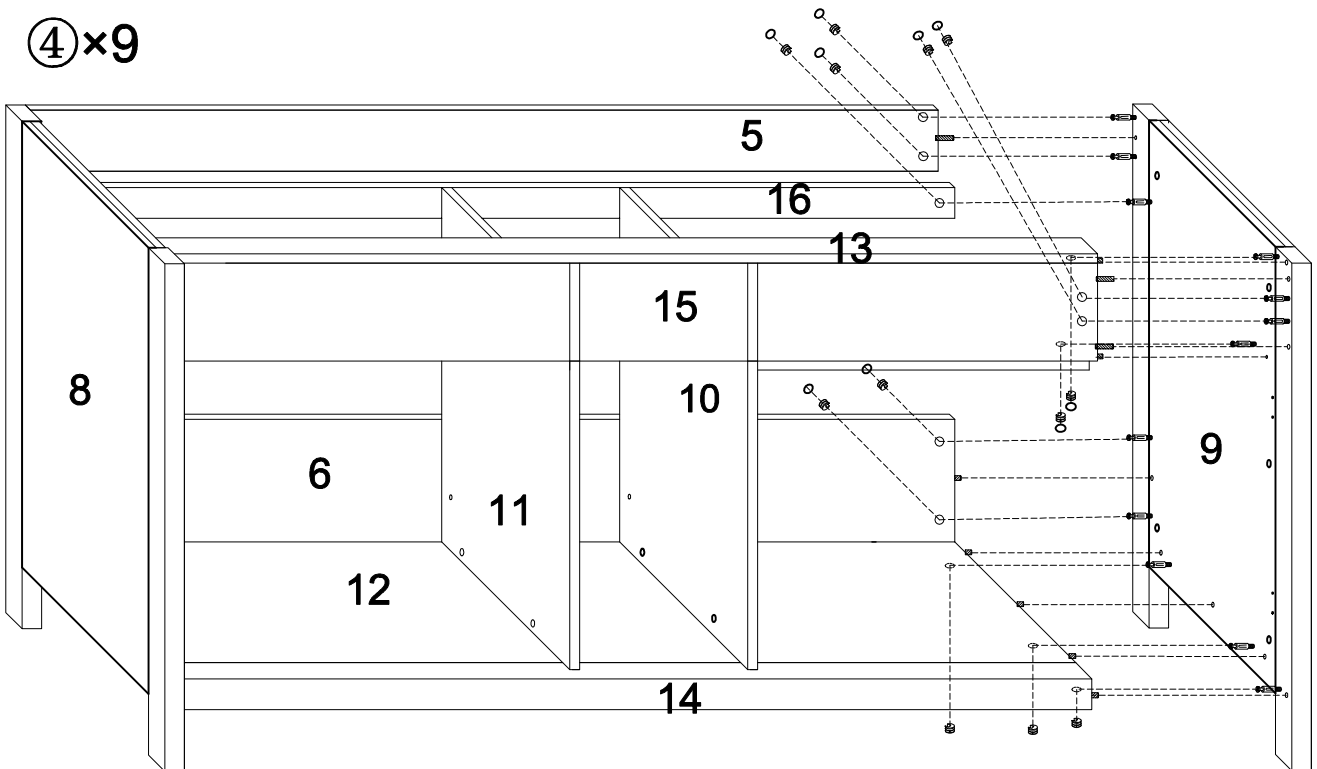
③ × 12

④ × 9



③ × 12

④ × 9



6

⑤ × 8



⑥ × 48



M4 × 14

⑧ × 4

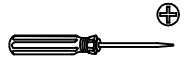


⑪ × 8



M4 × 25

⑫ × 4

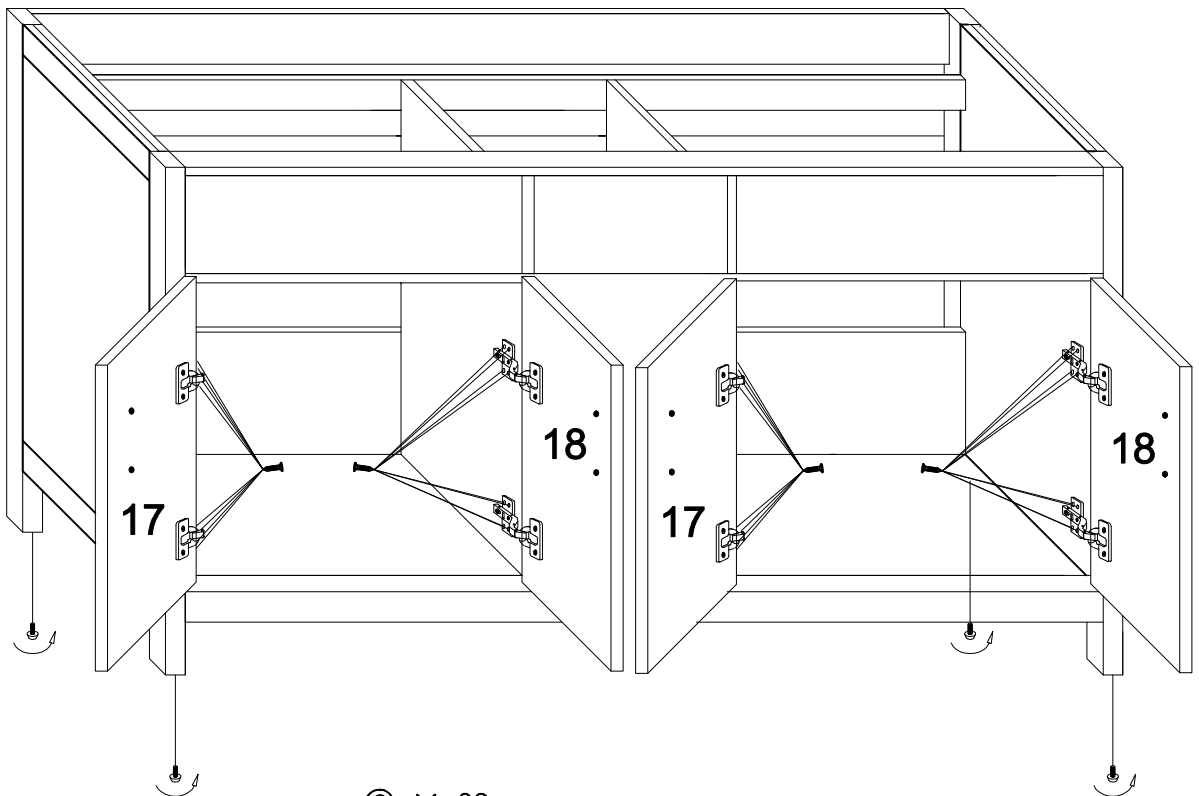
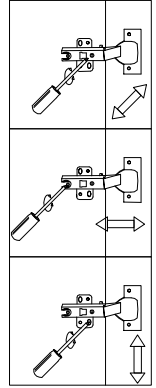
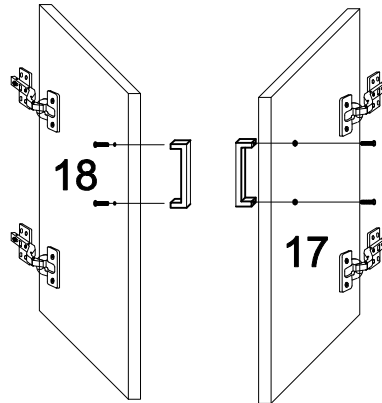
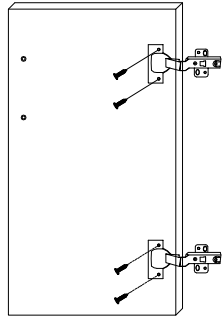


⑤ × 8

⑥ × 16

⑧ × 4

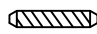
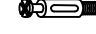


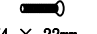
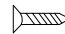


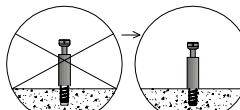
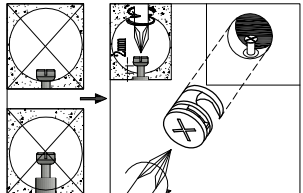
⑪ × 8

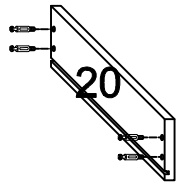
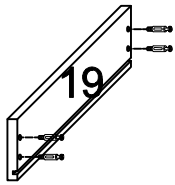


⑥ × 32

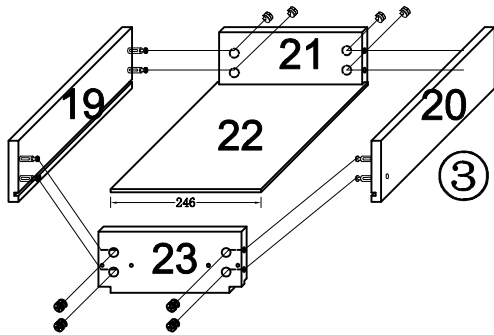
⑫ × 4

7

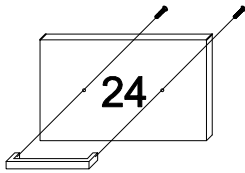
① × 2 	② × 27 	③ × 27 	⑨ × 3 	⑩ × 6  M4 × 22mm
⑬ × 6  M4 × 25	⑮ × 11  M4 × 14		 	



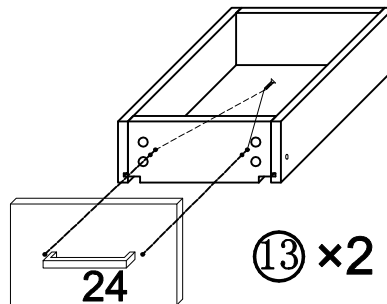
② × 8 × 2



③ × 8 × 2

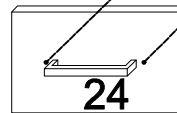
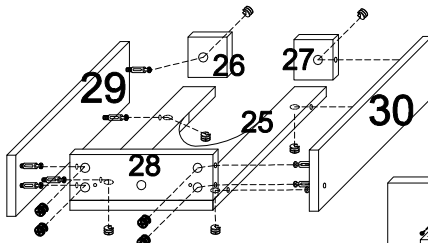
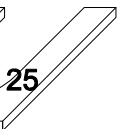
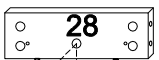
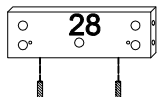
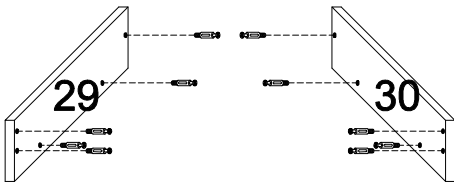


⑨ × 1
⑩ × 2



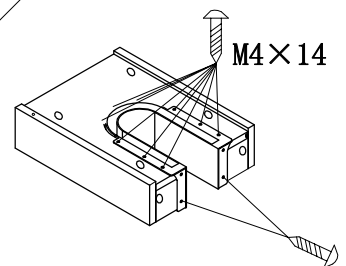
⑬ × 2

× 2



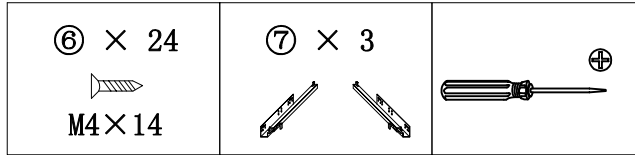
24

① × 2 ⑨ × 1
② × 11 ⑩ × 2
③ × 11 ⑬ × 2
⑮ × 11

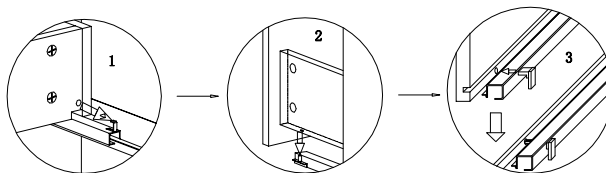
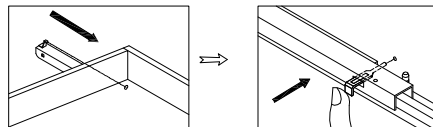
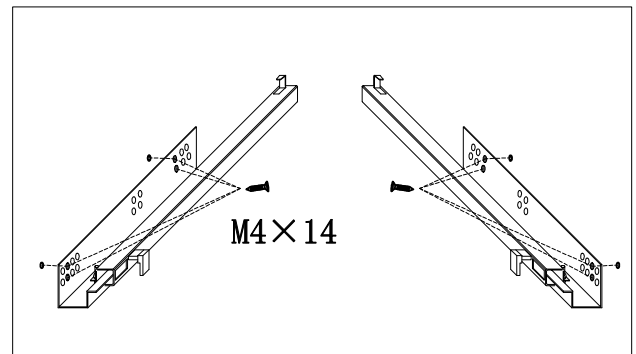
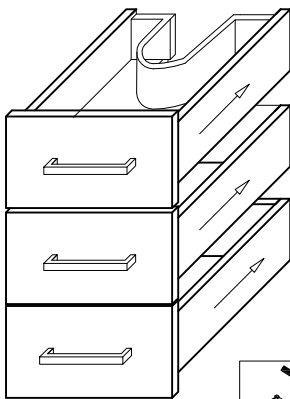
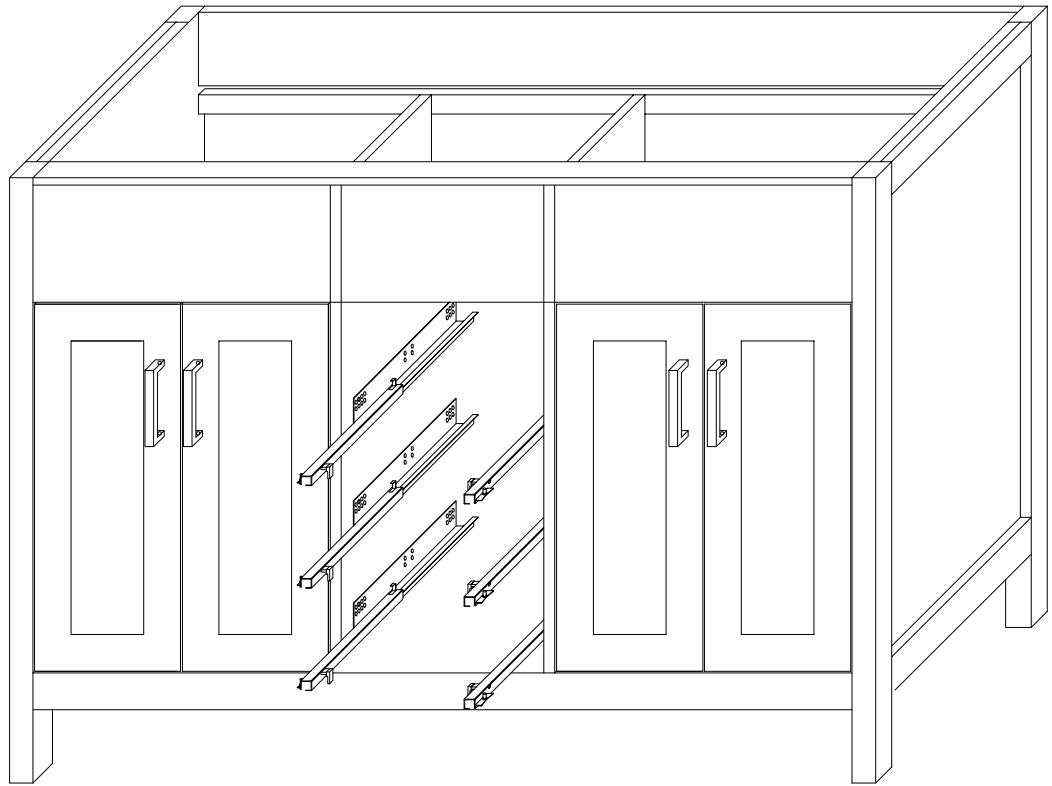


M4 × 14

8



$\textcircled{6} \times 24$
 $\textcircled{7} \times 3$



9

