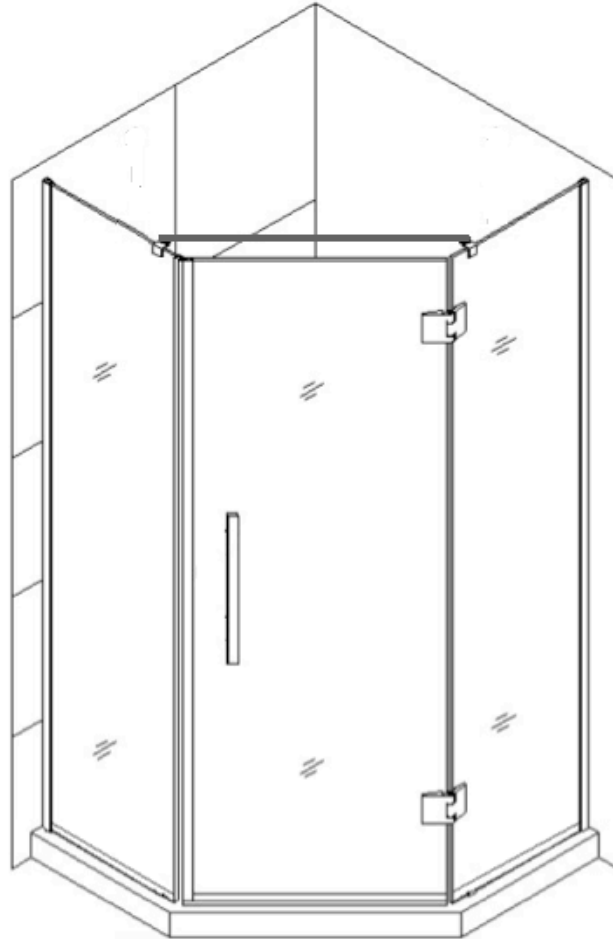


Lennox Shower Cave Series

INSTALLATION GUIDE



Model: HD 900/1000



The Lennox™
Bathroom

Auckland Ph:09 2710168 Hamilton Ph:07 8477722

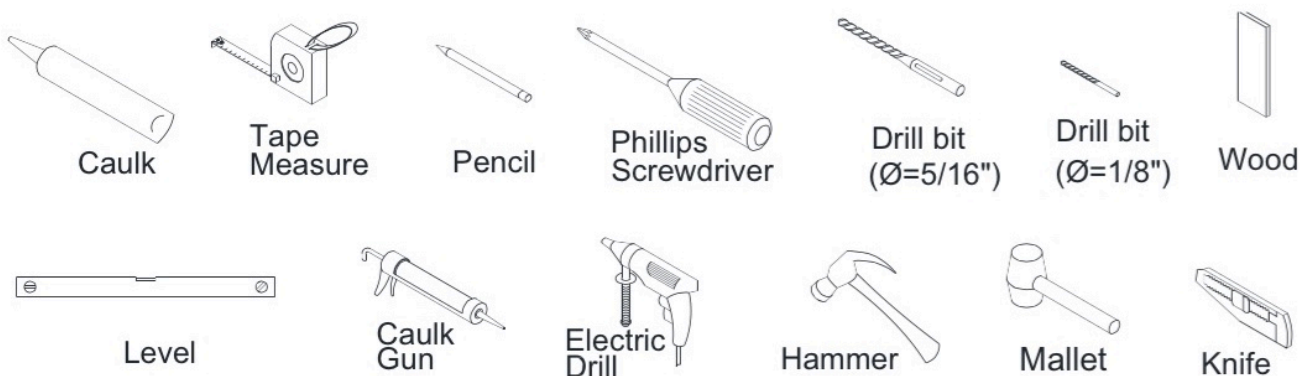
Christchurch Ph:03 3488885 Dunedin Ph:03 4775885

Online Order: www.lennoxathroom.nz

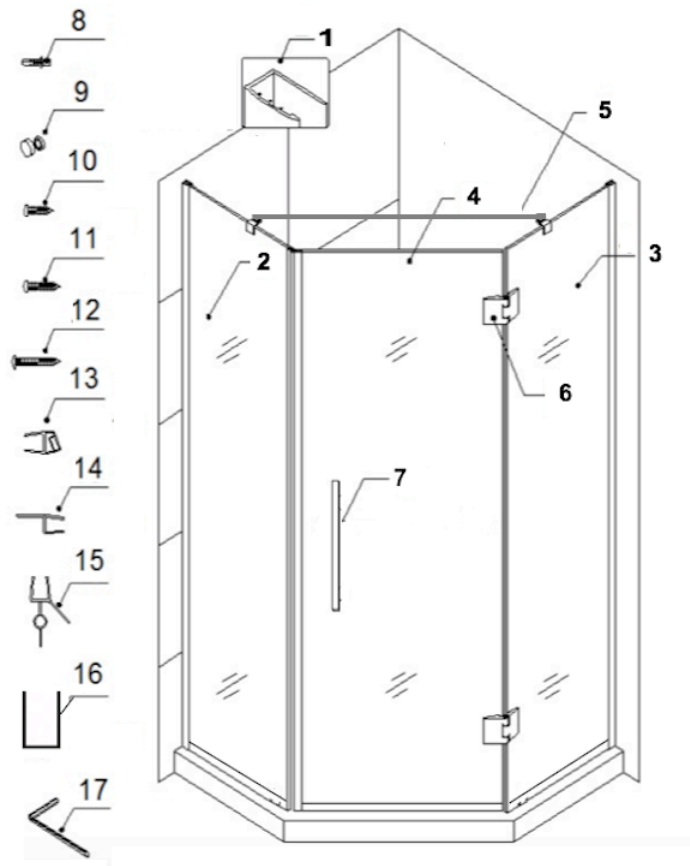
Preparation

1. After opening all boxes and packages, read this introduction carefully. Check that all of the needed parts are included in the package by marking all the components on the “Detailed Diagram of Shower Door Components”. Examine boxes and packages for shipping damage. If the unit has been damaged, has a finishing defect, or has missing parts, please contact us within 5 business days of the delivery date. Please note that **The Lennox™ will not replace any damaged products or missing parts free of charge after 5 business days or if the product has been installed.** Feel free to contact The Lennox™ if you have any questions.
2. Please ensure that prior to the installation surface is leveled and solid and will be able to support the total weight of the unit. Also make sure the walls are at right angles. Irregular installation surface level or improper angle of side walls will result in serious problems for your installation. Please, note that some adjustments and drilling might be necessary during the installation process.
3. This unit has to be installed against a finished floor and walls.
4. **Please, NOTE! This door has 3/8” out-of-plumb adjustment on each side. Make sure your walls are at right angles.**

Tools Required



Packing List



01	Aluminum wall frame	2pcs	10	Flat head screw ST4.2×25	4pcs
02	Stationary glass 1 (with frame)	1pcs	11	Round head screw ST4.2×15	6pc
03	Stationary glass 2 (with frame)	1pc	12	Big head screw ST4.2×30	6pcs
04	Glass door	1pc	13	Magnetic strip	2pcs
05	Support bar	2pcs	14	Flanged anti-water strip	1pc
06	Hinge	2pcs	15	Bottom anti-water strip	1pc
07	Handle	1pc	16	U Channel	2pcs
08	Wall anchor	6pcs	17	Allen key - hinges	1pc
09	Decorative cover	6pcs	18	Allen key - support bar	1pcs

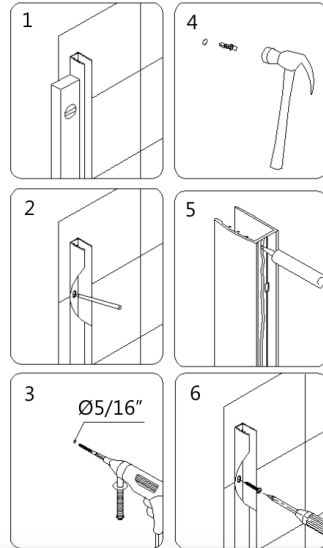
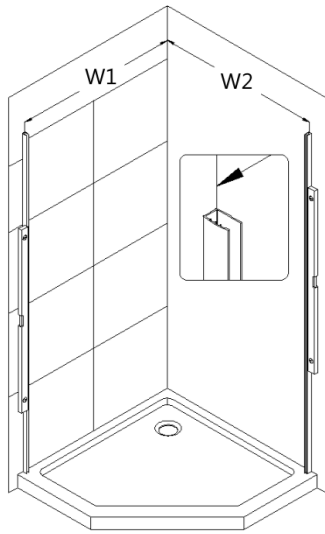
NOTE: Installation of Lennox Products MUSTBE carried out by a QUALIFIED TRADESPERSON.

Unpack your unit carefully and inspect it. Lay it out and identify all parts using parts diagram and part list in your manual as a reference. Before discarding the carton, check for small hardware bags that tend to fall to the bottom of the box. If any parts are damaged or missing, please contact The Lennox™ for replacement.

NOTE: Retain these installation instructions for future reference.

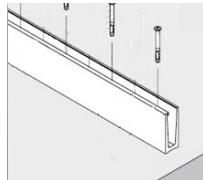
Shower Enclosure Installation

1. Draw the line on the wall according to your Shower Enclosure model size. Place the **Aluminum wall frame (01)** onto the Shower base or threshold against the finished wall and level it vertically. Model No :HD900 W1/W2 875mm. Model No: HD1000 W1/W2 975mm.



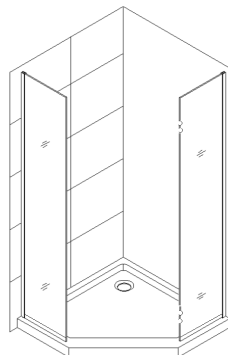
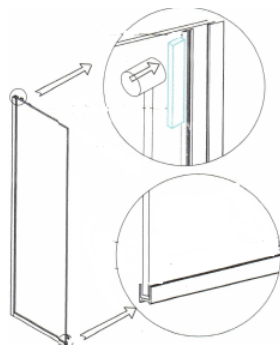
2. Assemble the **U Channel (16)** onto the tile base edge. Drill the holes in the tile base through the holes in the flange of the u channel. Fasten the u channel with the **flat head screw ST4.2x25 (10)**.

Note: If the U channel were not installed on the concrete floor, please directly use the silicone glue the U channel onto the base.



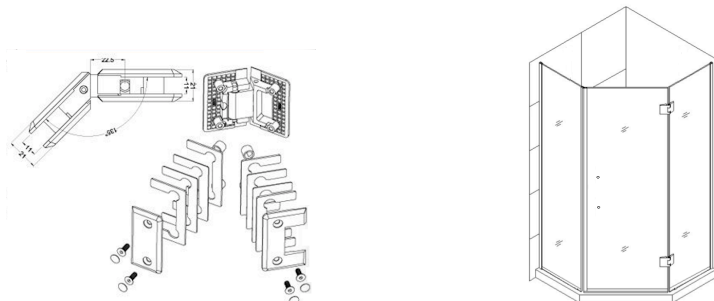
3. Slide the **Stationary glass (02,03)** assemblies into the groove of the Aluminum wall frame (01), At the same time plugged into the u channel.

Note: please put the clear silicone into the u channel before the glass sitting on.



4. Attach the **Hinges (06)** to the **Stationary glass (03)** with the decorative bolts facing inside the shower. Bring the **Glass door (04)** into the Shower base between the two stationary glasses.

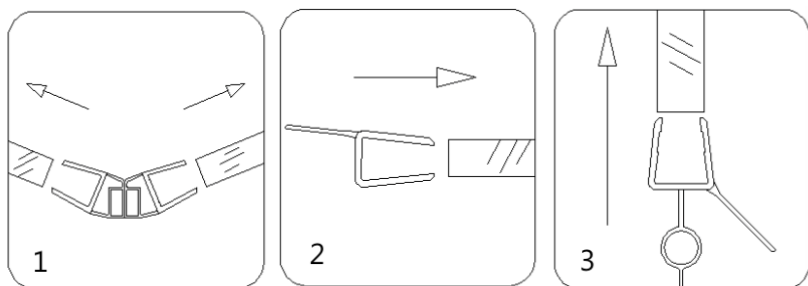
Level up the **Glass door** next to the **Stationary glass (03)** and fasten the **Hinges** on the **Glass Door** as well. Make sure the top edges of the **Glass door** and the **Stationary glasses** are aligned.



5. Locate the **Support bar (05)**. Adjust the bar to a proper position between **Stationary glass 1(02)** and **Stationary glass 2 (03)**. Level it horizontally. Hold it firmly and outline the bracket's position on the glass. Tighten the setscrews of the support bar and the glass holding screw to secure the glass.

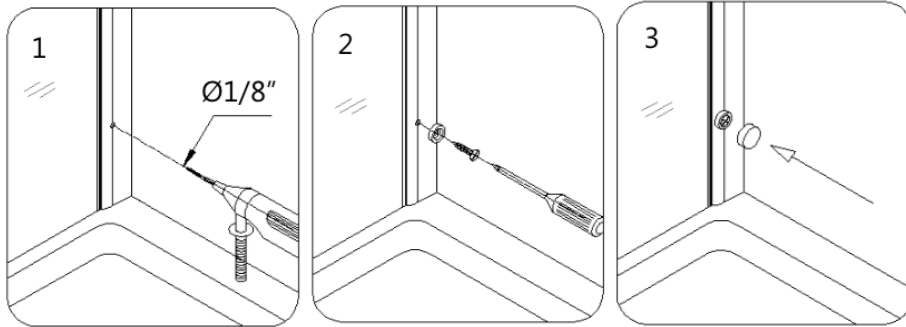


6. Push on the **Magnetic strips (13)** to seal between the **Glass door (04)** and the **Stationary glass (02)**. Install **Flanged anti-water strips (14)** and **Bottom anti- water strip (15)** on the door. Install **Handle (07)** on the door.



7. Drill holes on each aluminum wall frame, through the predrilled holes in the **wall frame (01)** into the first layer of the **Glass profiles (02)** using $\text{Ø } 1/8''$ drill bit.

Use the **Round head screws ST4.2×15 (11)** to secure the **Glass profiles** inside the **Wall profiles**. Cover the exposed screw heads with **Decorative covers (09)**.



8. Apply a bead of Kitchen & Bath Waterproof silicone along the bottom edges of the **Stationary glasses (02)** to the shower base connection.

