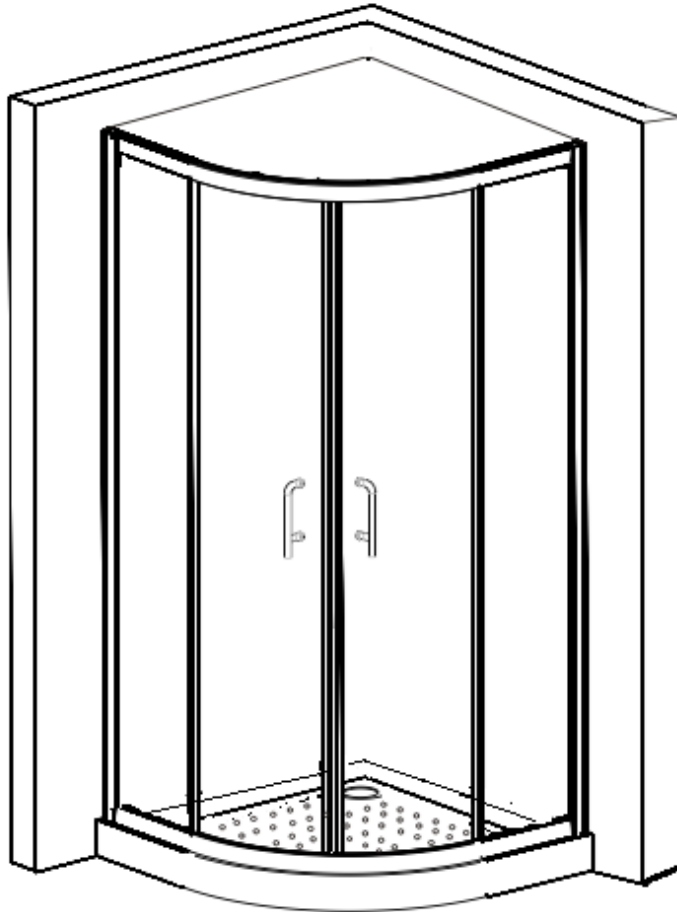


Lennox Shower Spring Series

INSTALLATION GUIDE



Model: RAM 900/1000/1200X900



The Lennox™
Bathroom

Auckland Ph:09 2710168

Hamilton Ph:07 8477722

Christchurch Ph:03 3488885

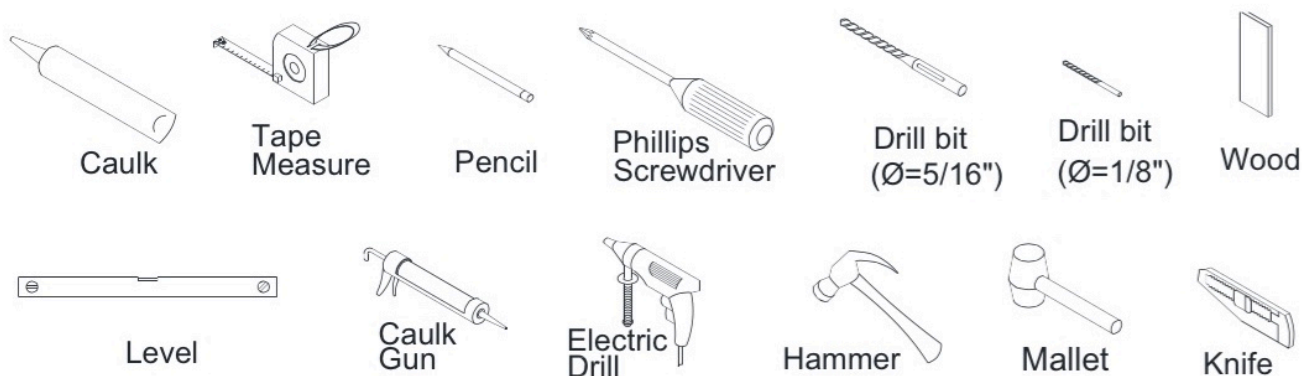
Dunedin Ph:03 4775885

Online Order: www.lennoxbathroom.nz

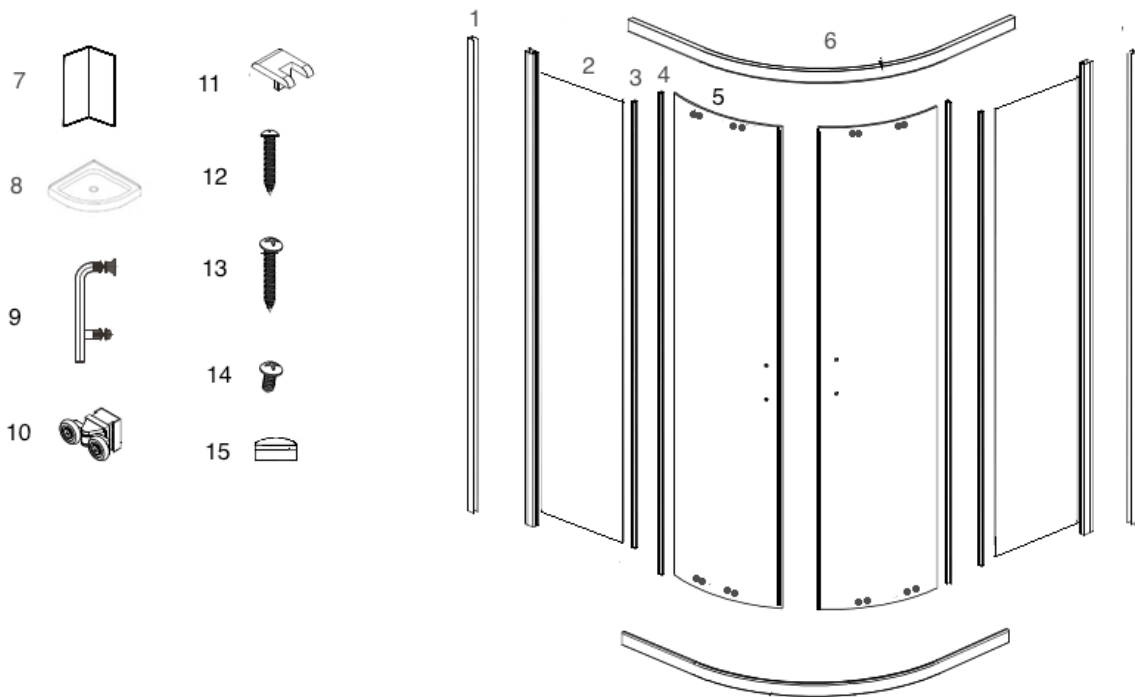
Preparation

1. After opening all boxes and packages, read this introduction carefully. Check that all of the needed parts are included in the package by marking all the components on the "Detailed Diagram of Shower Door Components". Examine boxes and packages for shipping damage. If the unit has been damaged, has a finishing defect, or has missing parts, please contact us within 5 business days of the delivery date. Please note that **The Lennox™ will not replace any damaged products or missing parts free of charge after 5 business days or if the product has been installed.** Feel free to contact The Lennox™ if you have any questions.
2. Please ensure that prior to the installation surface is leveled and solid and will be able to support the total weight of the unit. Also make sure the walls are at right angles. Irregular installation surface level or improper angle of side walls will result in serious problems for your installation. Please, note that some adjustments and drilling might be necessary during the installation process.
3. This unit has to be installed against a finished floor and walls.

Tools Required



Packing List



01	Aluminum wall frame	2pcs	9	Door handle	2pcs
02	Glass panel with aluminum frame	2pcs	10	Top and bottom rollers (attached on the glass door)	8pcs
03	Flange anti-water strip 1775mm	2pc	11	Glass clamp	4pc
04	Flange anti-water strip 1820mm	2pc	12	Round head screw ST3.2×30	6pc
05	Glass Door with rollers	2pcs	13	Big head screw ST4.2×30	4pc
06	Aluminum rail	2pcs	14	Big head screw ST4.2×10	6pc
07	Wall liner	1pc	15	Decorative cover	12pcs
08	Acrylic Shower Tray	1pcs			

NOTE: Installation of Lennox Products MUST BE carried out by a QUALIFIED TRADESPERSON.

Unpack your unit carefully and inspect it. Lay it out and identify all parts using parts diagram and part list in your manual as a reference. Before discarding the carton, check for small hardware bags that tend to fall to the bottom of the box. If any parts are damaged or missing, please contact The LennoxTM for replacement.

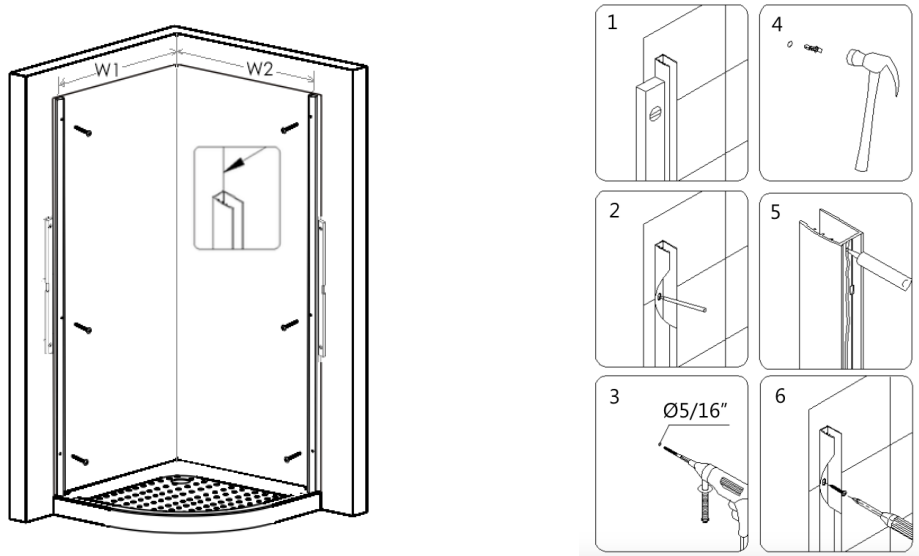
NOTE: Retain these installation instructions for future reference.

Wall liner (07) and Acrylic shower tray (08) are packing separate. Please refer to lennox shower tray and liner installation guide.

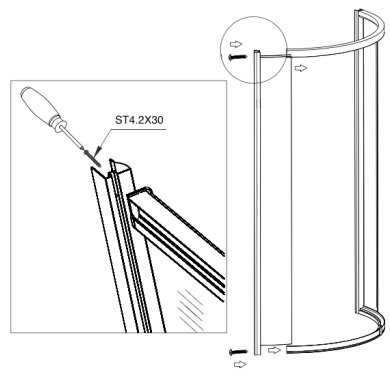
Shower Enclosure Installation

1. Draw the line on the wall liner according to your Shower Enclosure model size. Place the **Aluminum wall frame (01)** onto the Shower base or threshold against the finished wall and level it vertically.

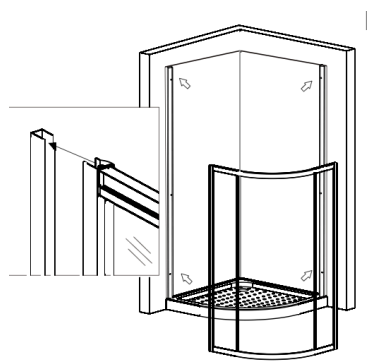
Model No :RAM900W1/W2 845mm. Model No: RAM1000 W1/W2 945mm Model No: RAM1200X900 W1/W2 1145X845mm.



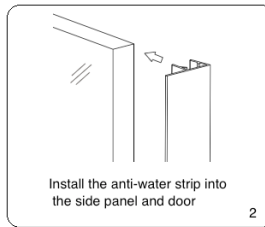
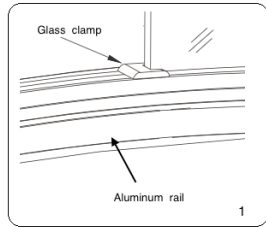
2. Assemble the **glass panel (02)** onto the **Aluminum rail (06)**. Fasten Aluminum frame with the **Big head screw ST4.2x30 (13)**. Each side.



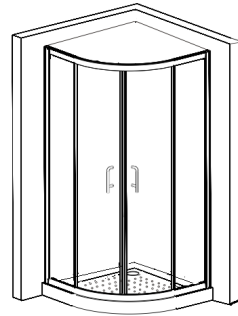
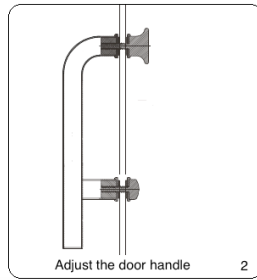
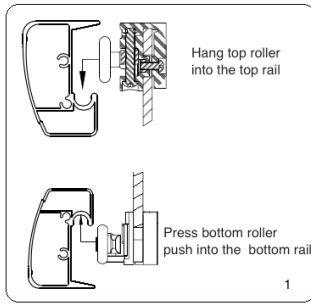
3. Uplift and slide the shower enclosure frame into the groove of the **Aluminum wall frame (01)**



4. Attach the **Glass clamp (11)** to the **glass panel top and bottom (02)**. Insert the **flange anti-water strip (03)** into the glass panel (02) and insert the **flange anti-water strip (04)** on the glass door (05) .

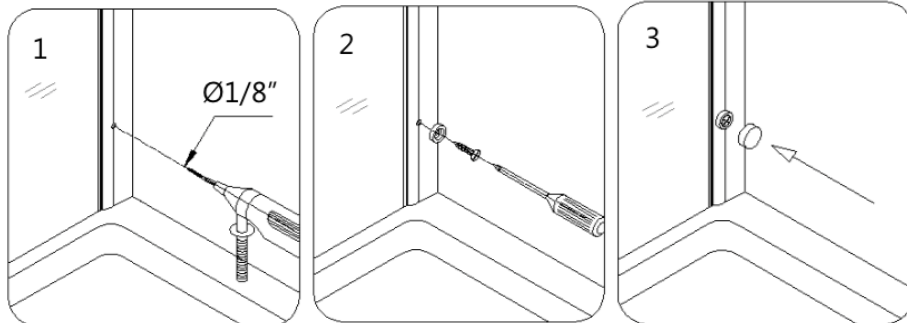


5. Level up the **Glass door (05)** next to the **Glass Panel (02)** and fasten the **rollers (10)** on the **Glass Door** as well. Make sure the top edges of the **Glass doors** are aligned. (Tips: Adjust the screw on the bottom of the door roller). Install **Handle (09)** on the door.



7. Drill holes on each aluminum wall frame, through the predrilled holes in the **wall frame (01)** into the first layer of the **Glass panel (02)** using $\text{Ø } 1/8''$ drill bit.

Use the **Round head screws ST4.2×10 (14)** to secure the **Glass profiles** inside the **Wall profiles**. Cover the exposed screw heads with **Decorative covers (15)**.



8. Apply a bead of Kitchen & Bath Waterproof silicone along the bottom edges of the **Glasses Panel (02)** to the shower base connection.

